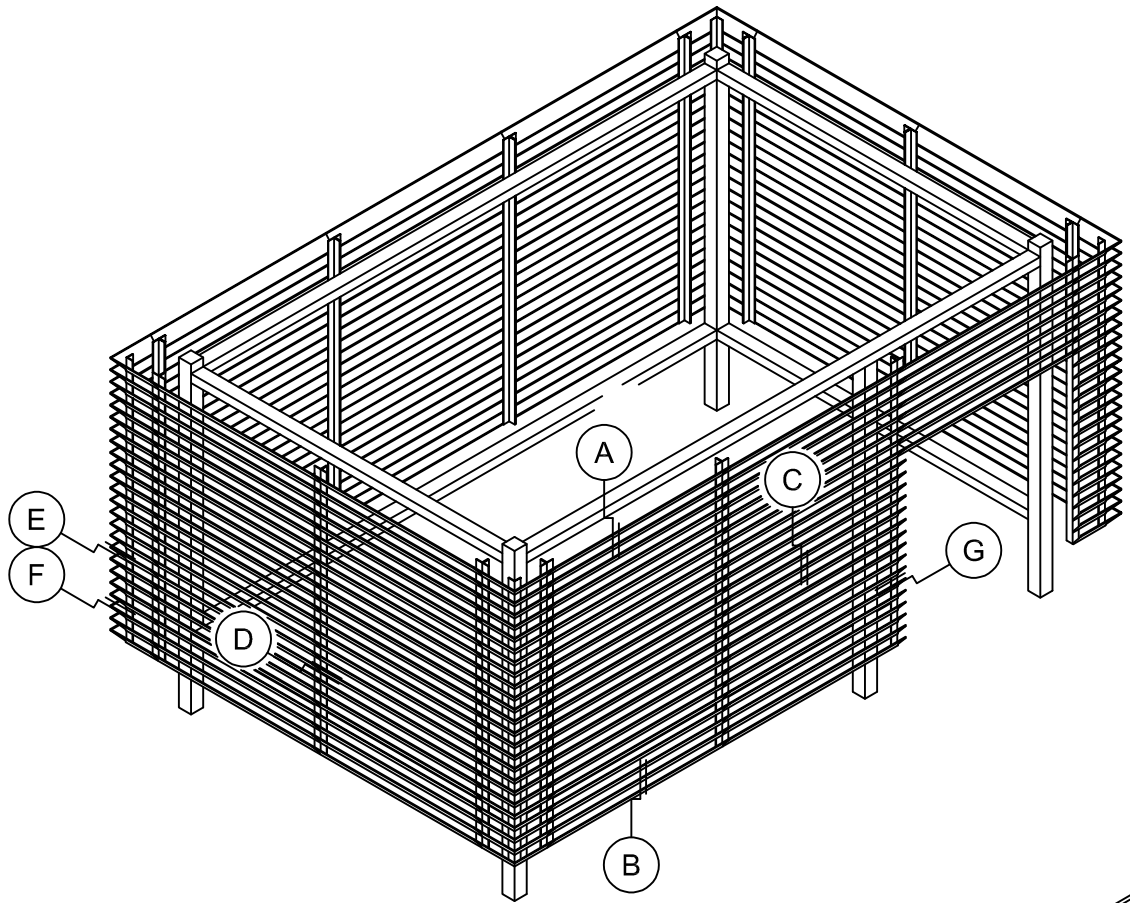
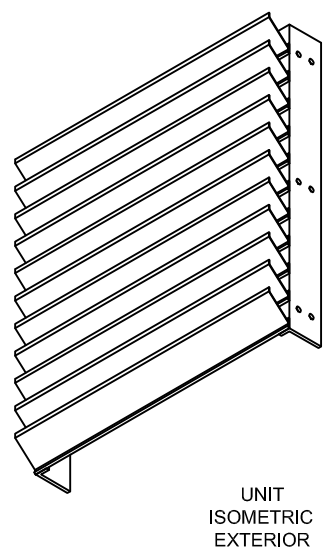
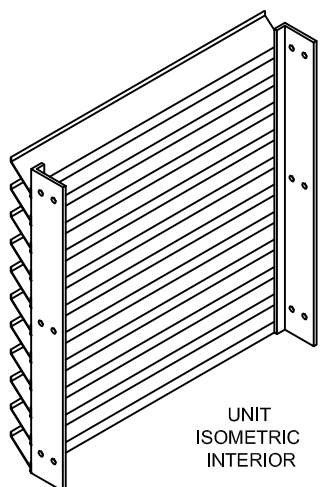
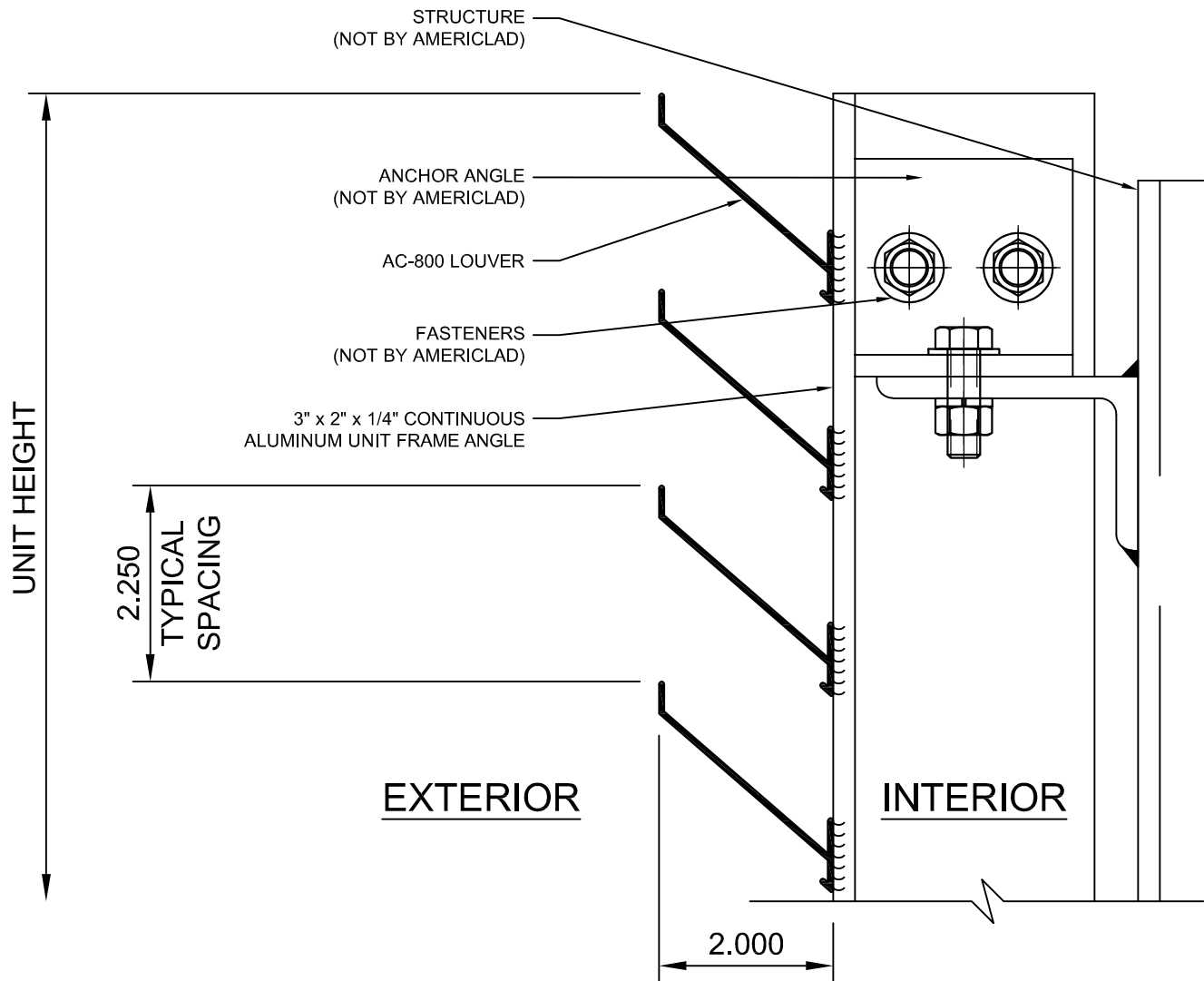


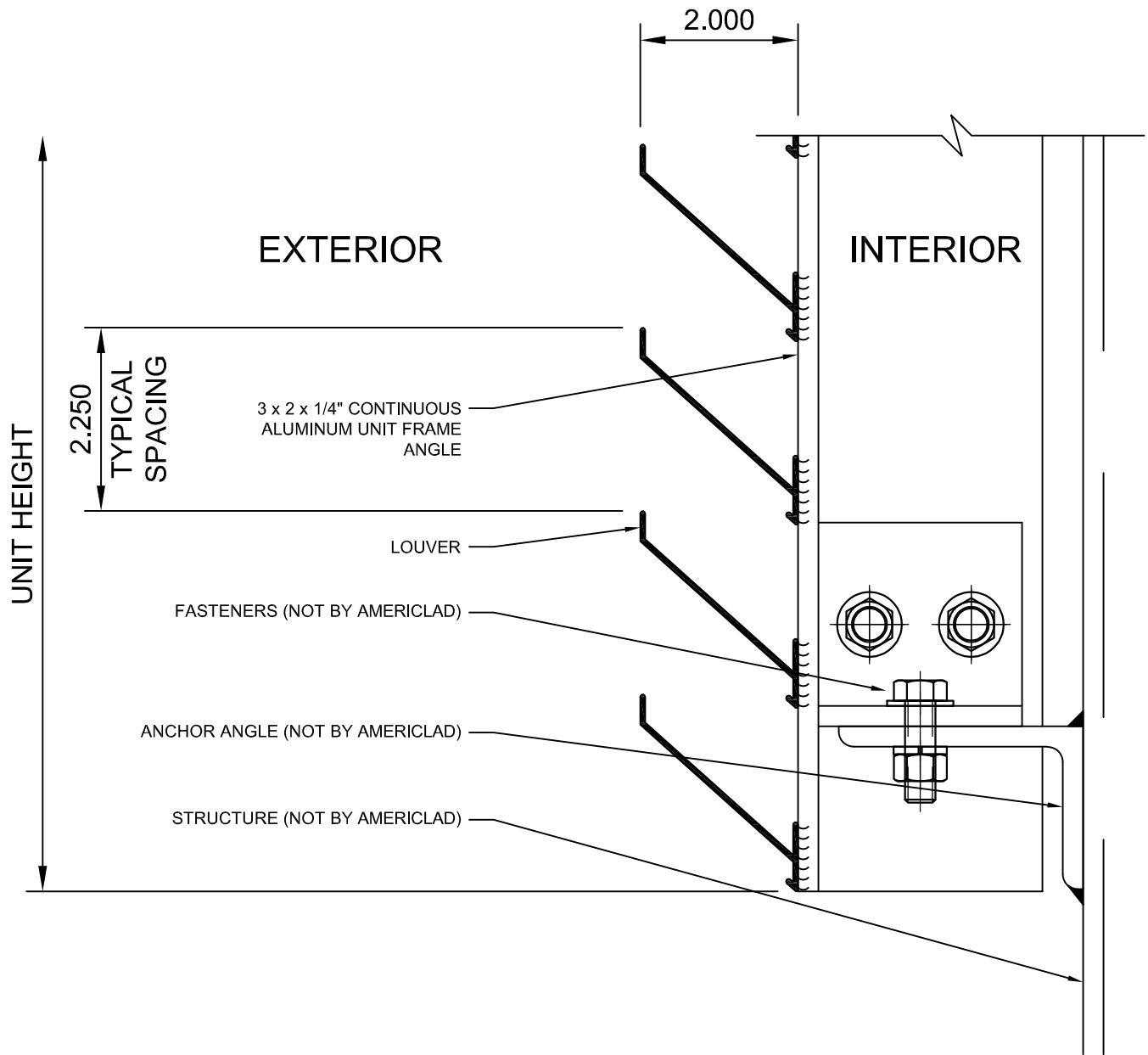
EQUIPMENT SCREEN - 2 INCH INVERTED



- (A) HEAD
- (B) SILL
- (C) HORIZONTAL SPLICE
- (D) INTERMEDIATE VERTICAL
- (E) CORNER (1)
- (F) CORNER (2)
- (G) JAMB



HEAD**DETAIL A**

SILL**DETAIL B**

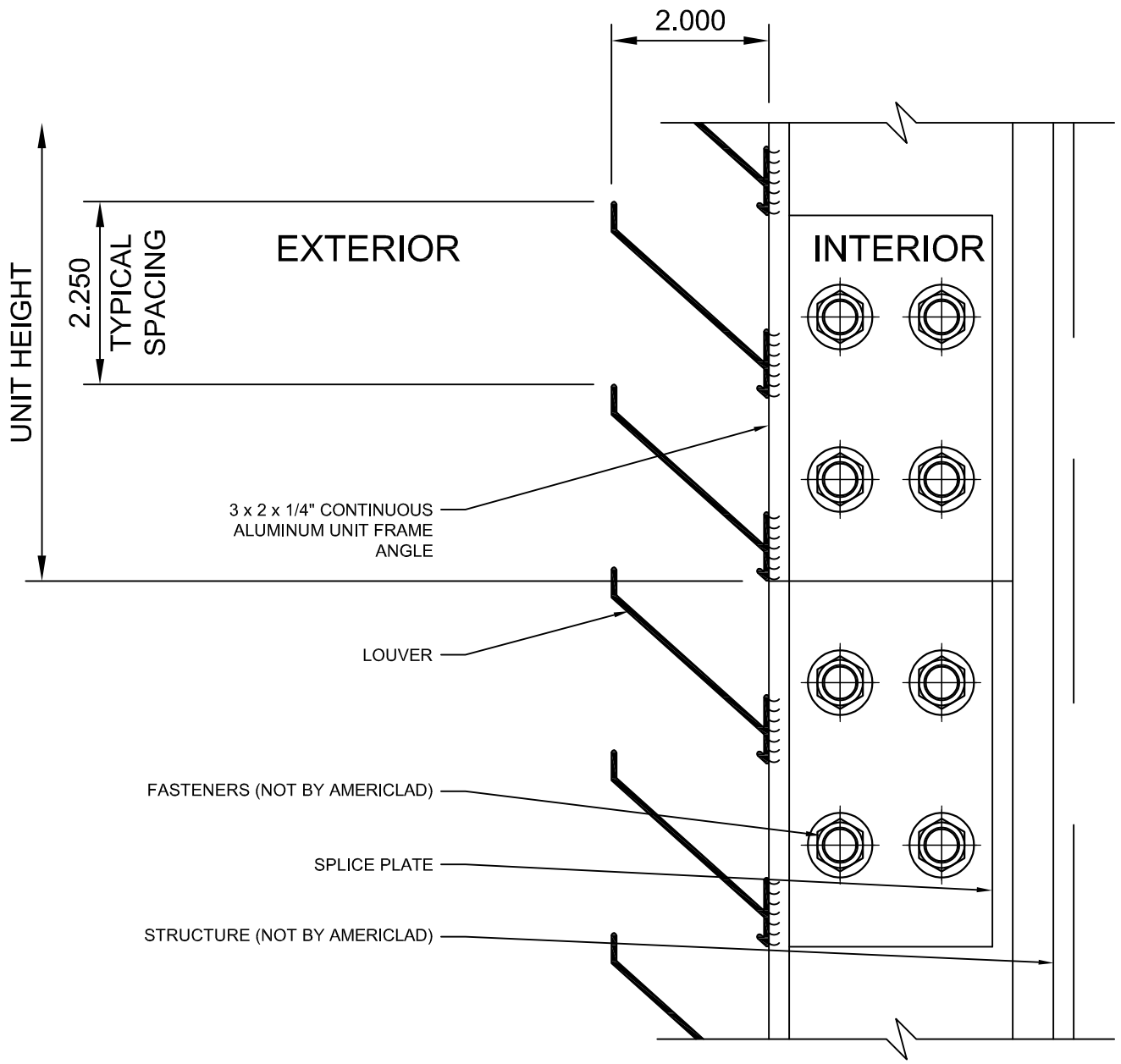
COPYRIGHT AMERICLAD, LLC

21925 Industrial Boulevard · Rogers, Minnesota · Toll-Free: 1-866-260-4047 · americlad.com

Architectural Metal Products

HORIZONTAL SPLICE

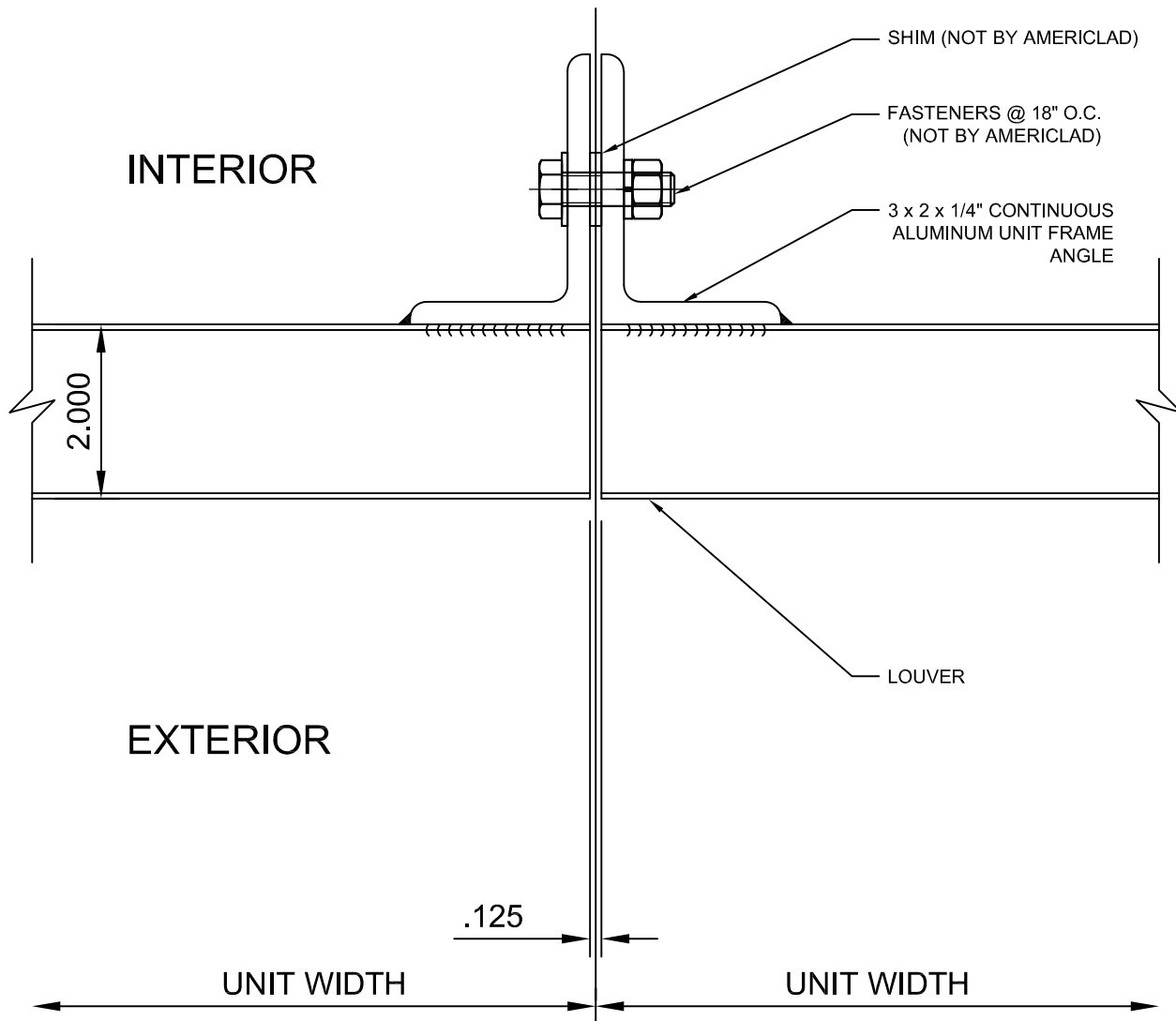
DETAIL C



COPYRIGHT AMERICLAD, LLC

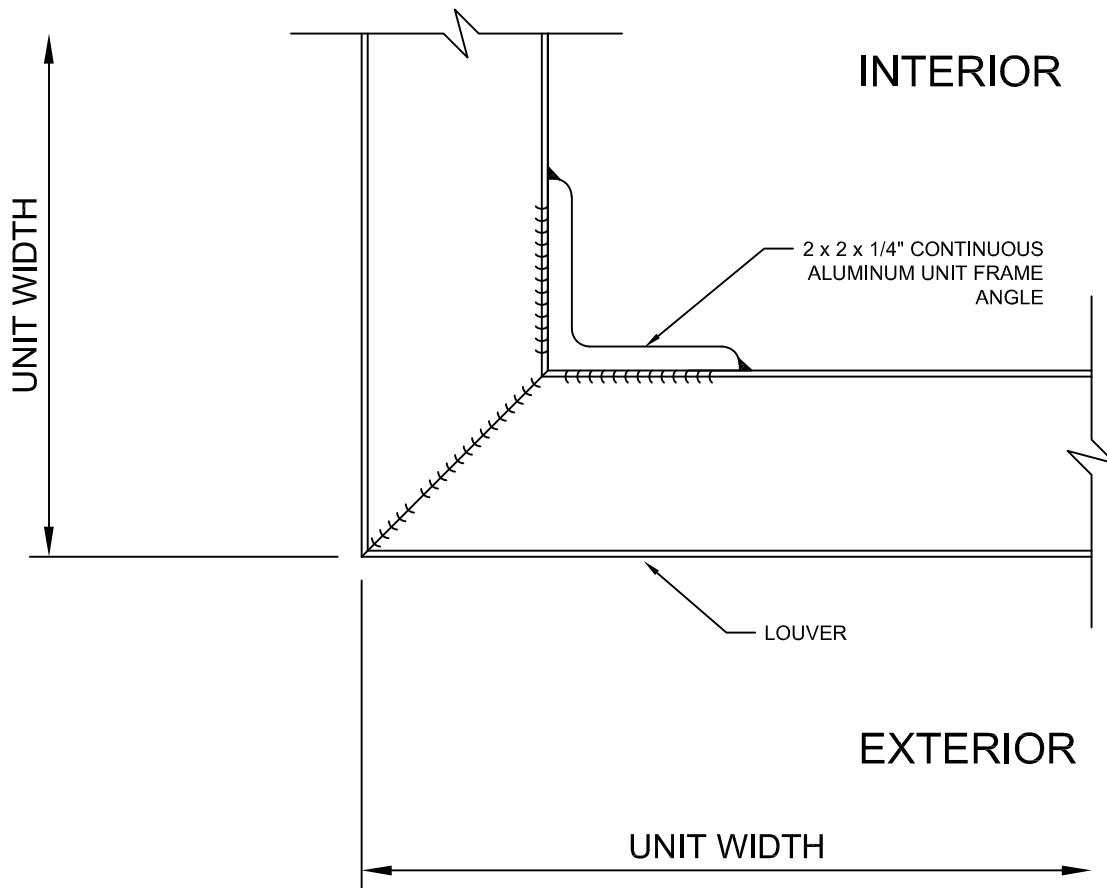
INTERMEDIATE VERTICAL

DETAIL D



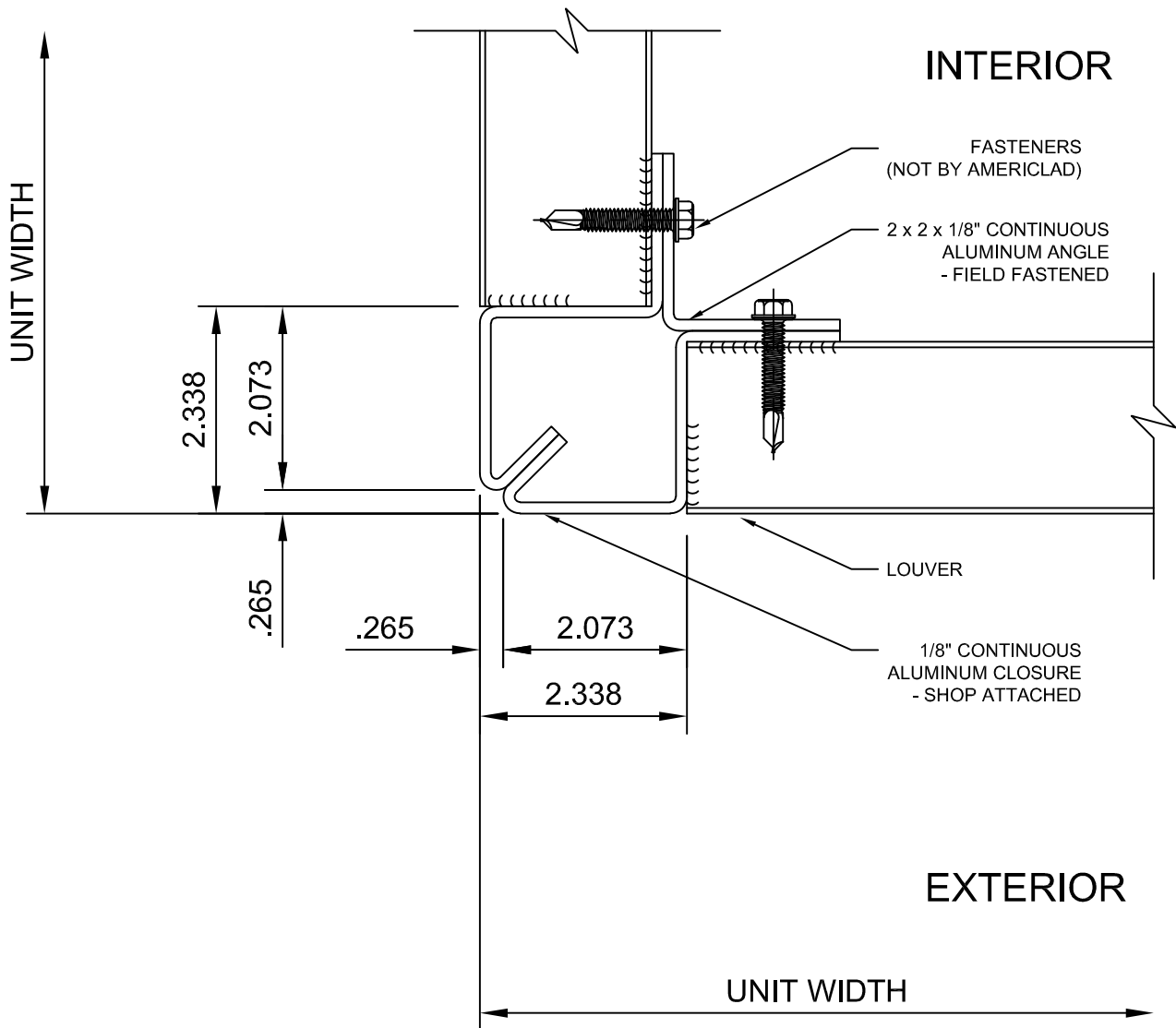
CORNER (1)

DETAIL E



CORNER (2)

DETAIL F



JAMB

DETAIL G

