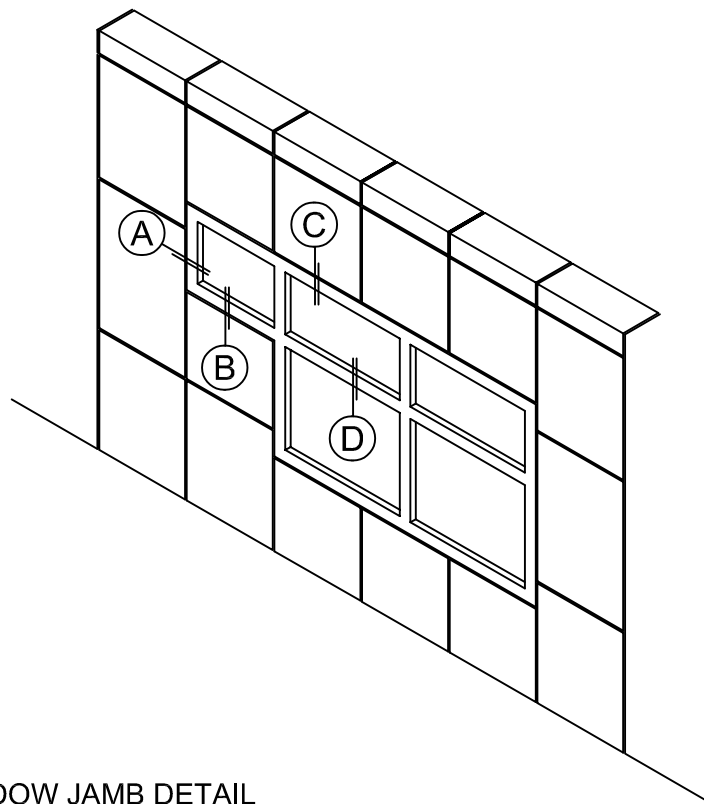
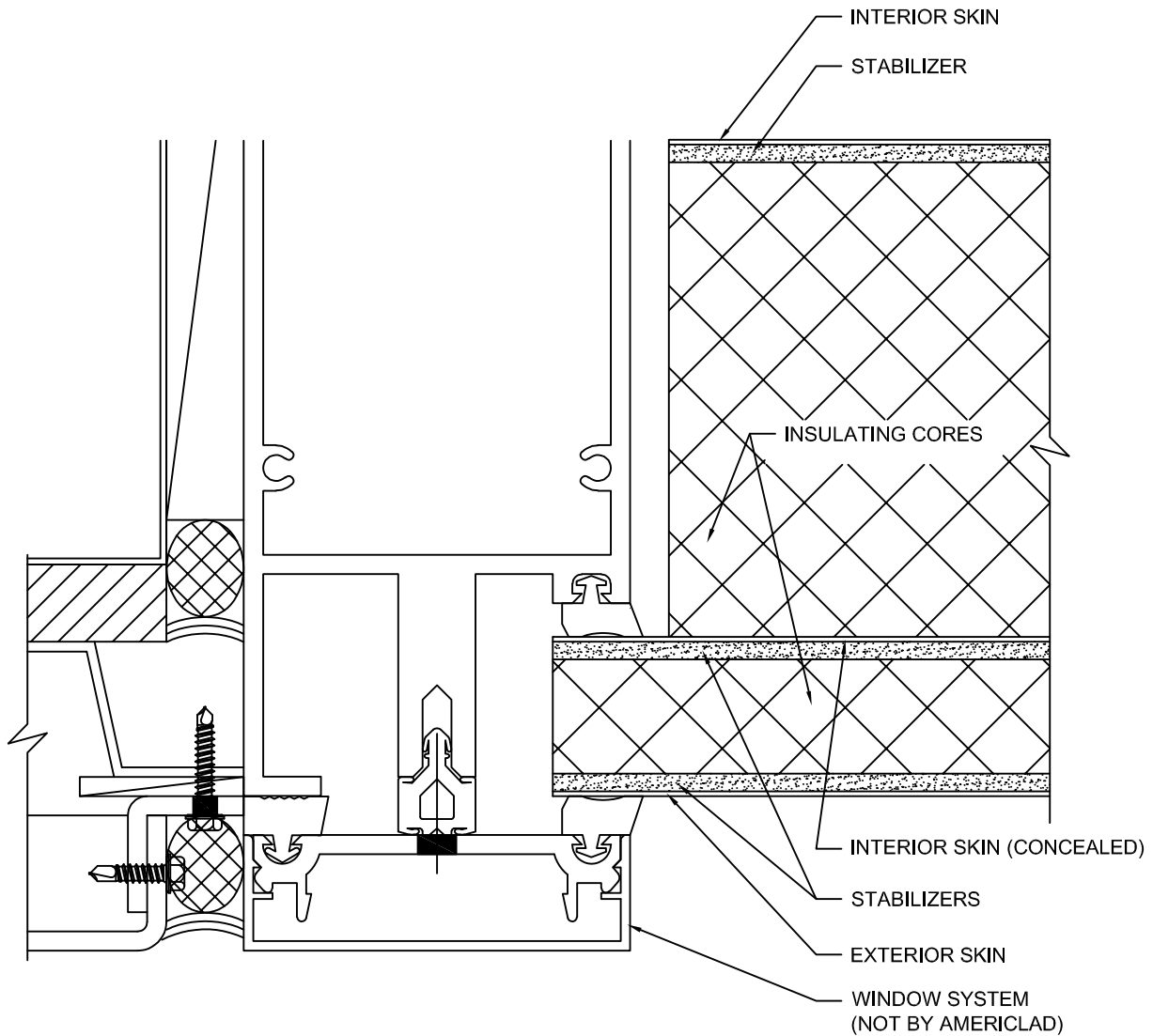


**ALUMINUM INSULATED FORMED FLUSH INFILL PANEL SYSTEM  
(RABBET EDGE)**

- Ⓐ WINDOW JAMB DETAIL
- Ⓑ WINDOW SILL DETAIL
- Ⓒ WINDOW HEAD DETAIL
- Ⓓ WINDOW INTERMEDIATE DETAIL

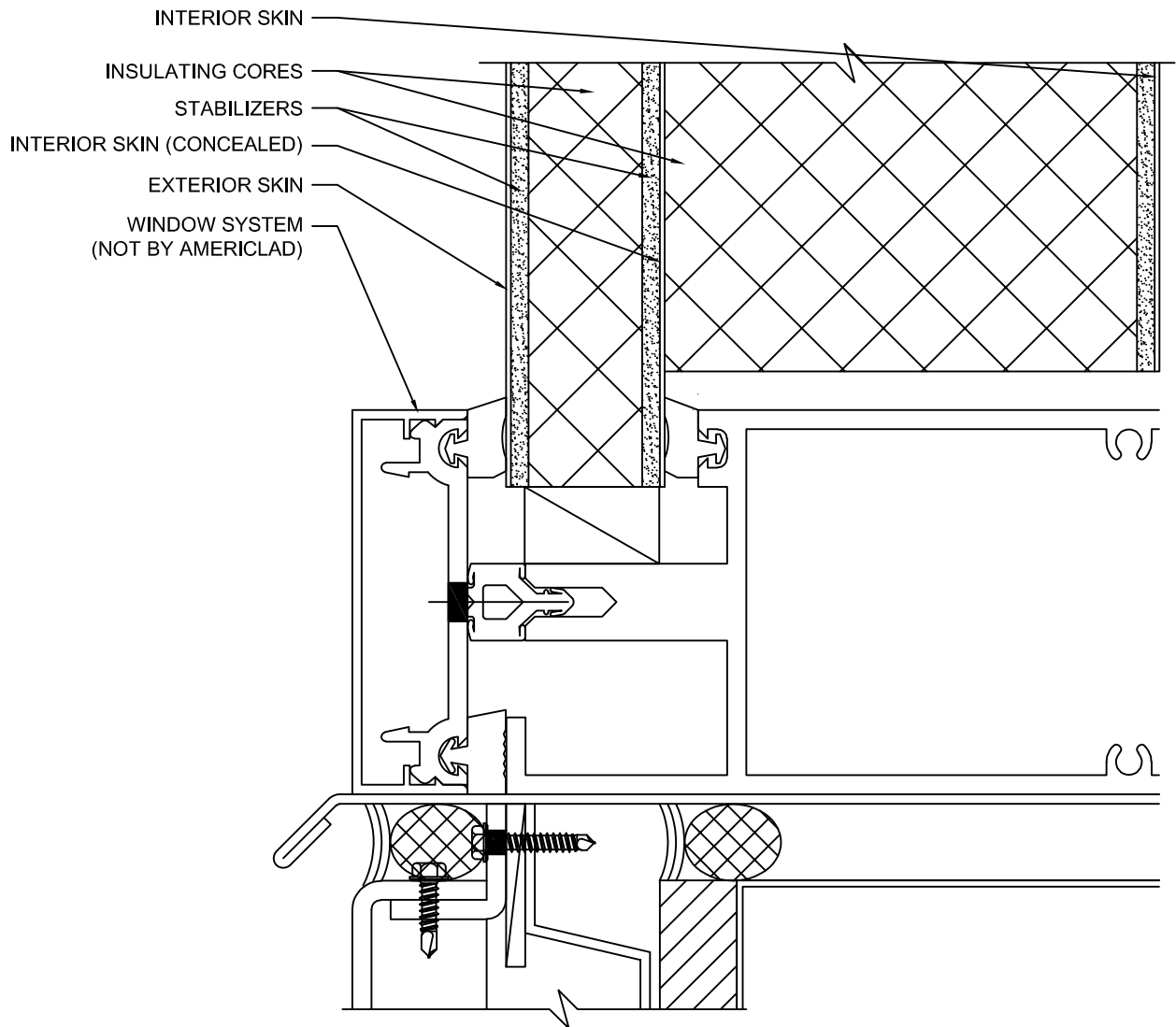
WINDOW JAMB DETAIL

DETAIL A



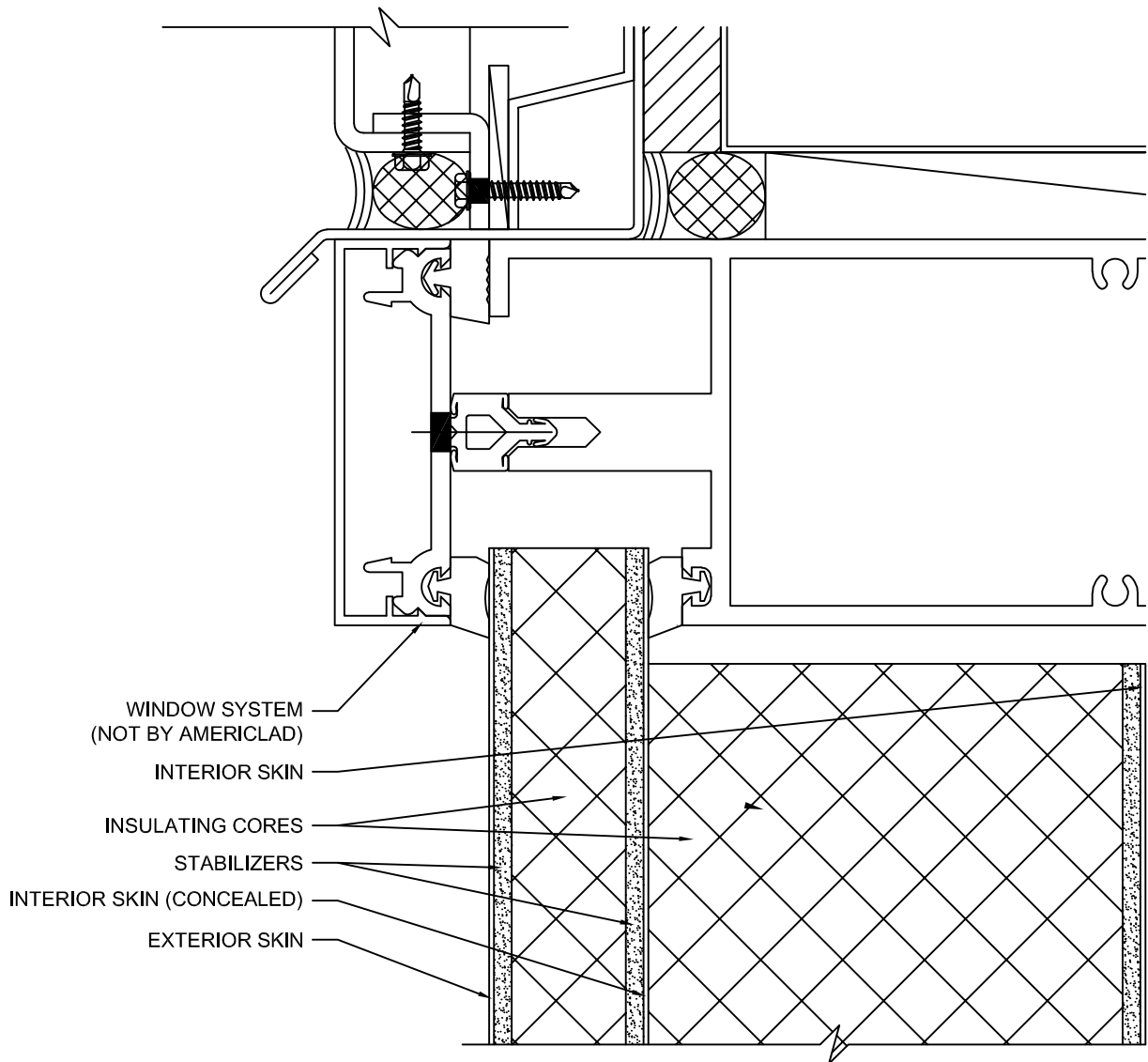
WINDOW SILL DETAIL

DETAIL B



WINDOW HEAD DETAIL

DETAIL C



- WINDOW SYSTEM  
(NOT BY AMERICLAD)
- INTERIOR SKIN
- INSULATING CORES
- STABILIZERS
- INTERIOR SKIN (CONCEALED)
- EXTERIOR SKIN

WINDOW INTERMEDIATE DETAIL

DETAIL D

