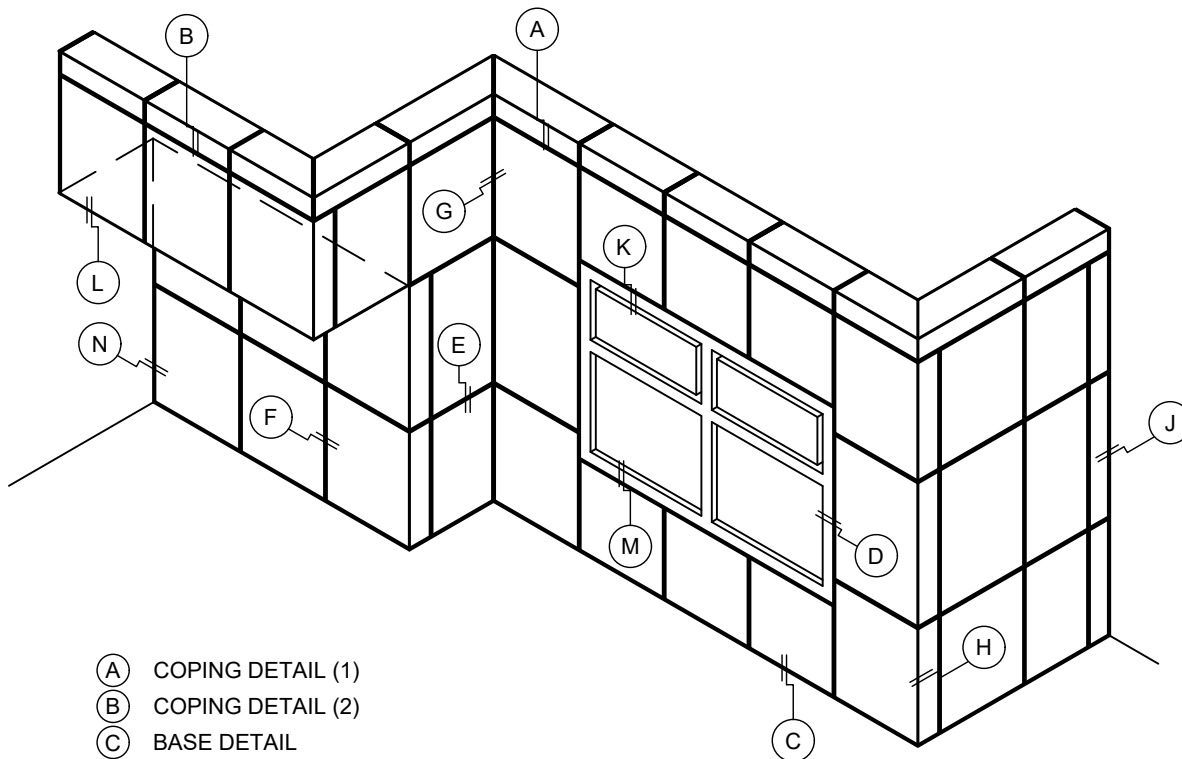


### ALUMINUM PANEL (DRY JOINT)

**NOTE:**

**LOAD BEARING WALL COMPONENTS OF EITHER: 16GA STEEL STUDS, STRUCTURAL MEMBERS, MINIMUM 5/8" PLYWOOD OR CONCRETE. GYPSUM BOARD AND CEMENT BOARD ARE NOT A STRUCTURAL COMPONENT.**

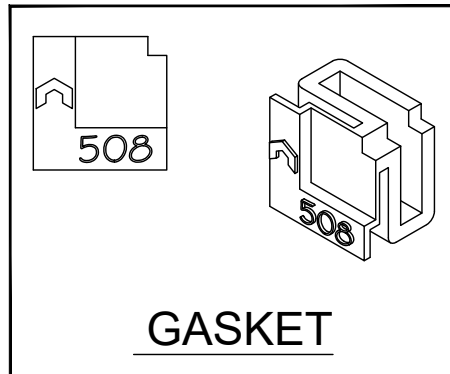
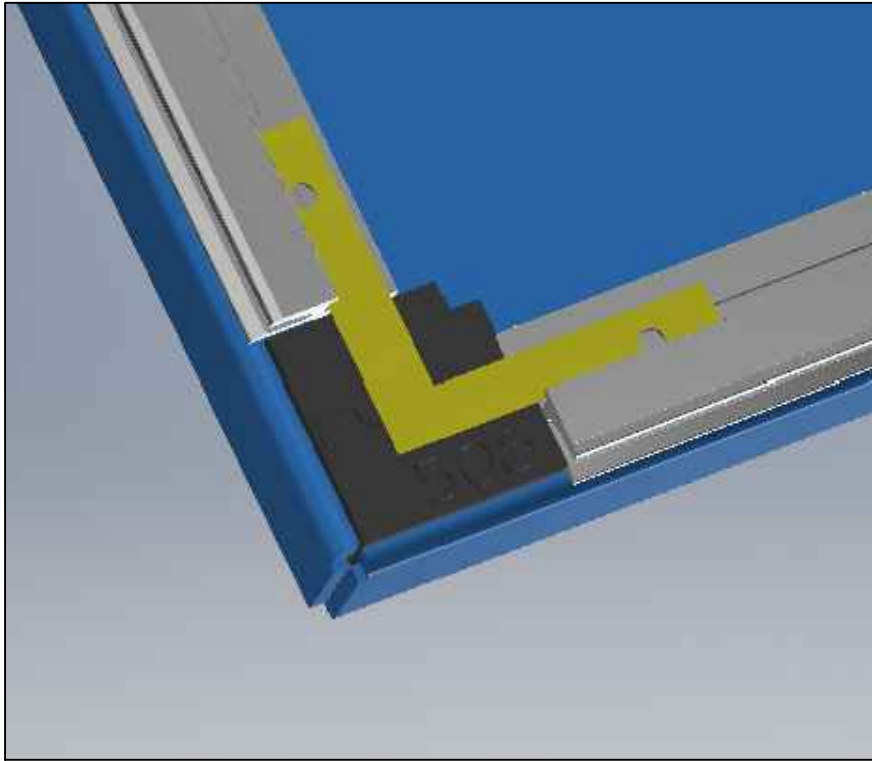


- (A) COPING DETAIL (1)
- (B) COPING DETAIL (2)
- (C) BASE DETAIL
- (D) WINDOW JAMB DETAIL
- (E) FASTENING JOINT DETAIL
- (F) NON - FASTENING JOINT DETAIL
- (G) INSIDE CORNER DETAIL
- (H) OUTSIDE CORNER DETAIL
- (J) END CAP DETAIL
- (K) WINDOW HEAD DETAIL
- (L) SOFFIT TRANSITION DETAIL
- (M) WINDOW SILL DETAIL
- (N) TERMINATION DETAIL



AC-3200PE  
PRESSURE EQUALIZED

## PANEL CONSTRUCTION

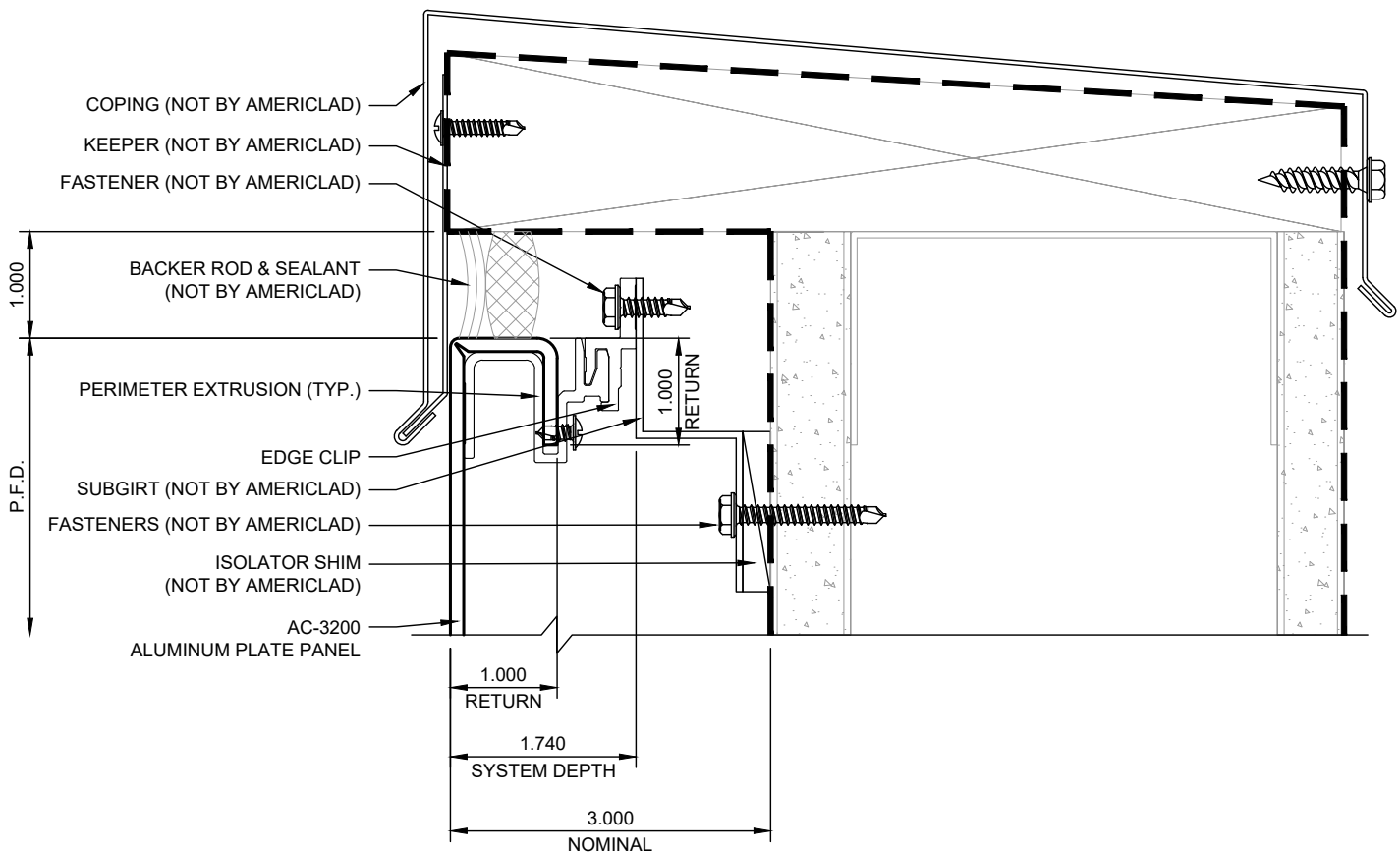


### COPING DETAIL (1)

### DETAIL A

**NOTE:**

**LOAD BEARING WALL COMPONENTS OF EITHER: 16GA STEEL STUDS, STRUCTURAL MEMBERS, MINIMUM 5/8" PLYWOOD OR CONCRETE. GYPSUM BOARD AND CEMENT BOARD ARE NOT A STRUCTURAL COMPONENT.**

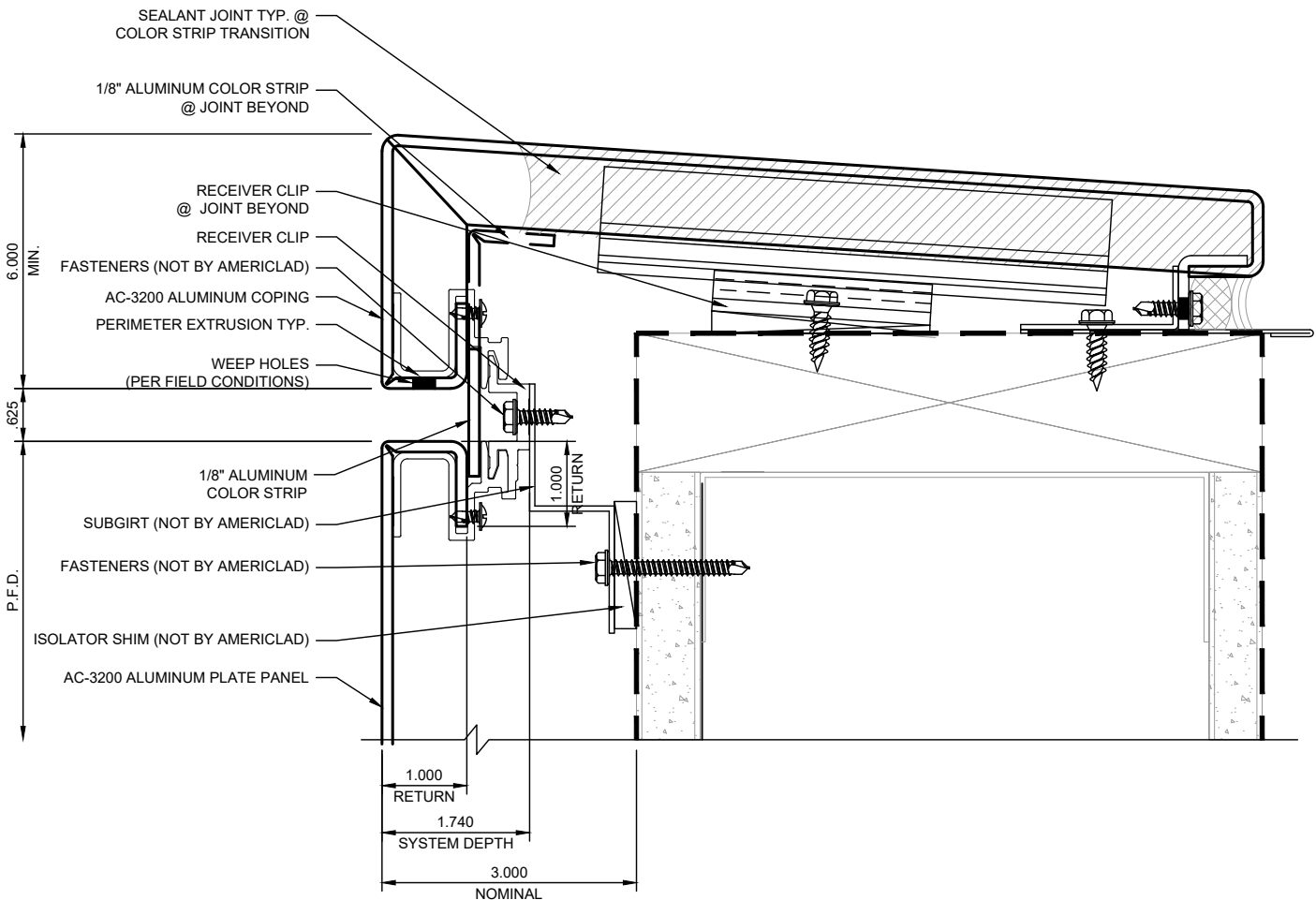


### COPING DETAIL (2)

### DETAIL B

**NOTE:**

**LOAD BEARING WALL COMPONENTS OF EITHER: 16GA STEEL STUDS, STRUCTURAL MEMBERS, MINIMUM 5/8" PLYWOOD OR CONCRETE. GYPSUM BOARD AND CEMENT BOARD ARE NOT A STRUCTURAL COMPONENT.**

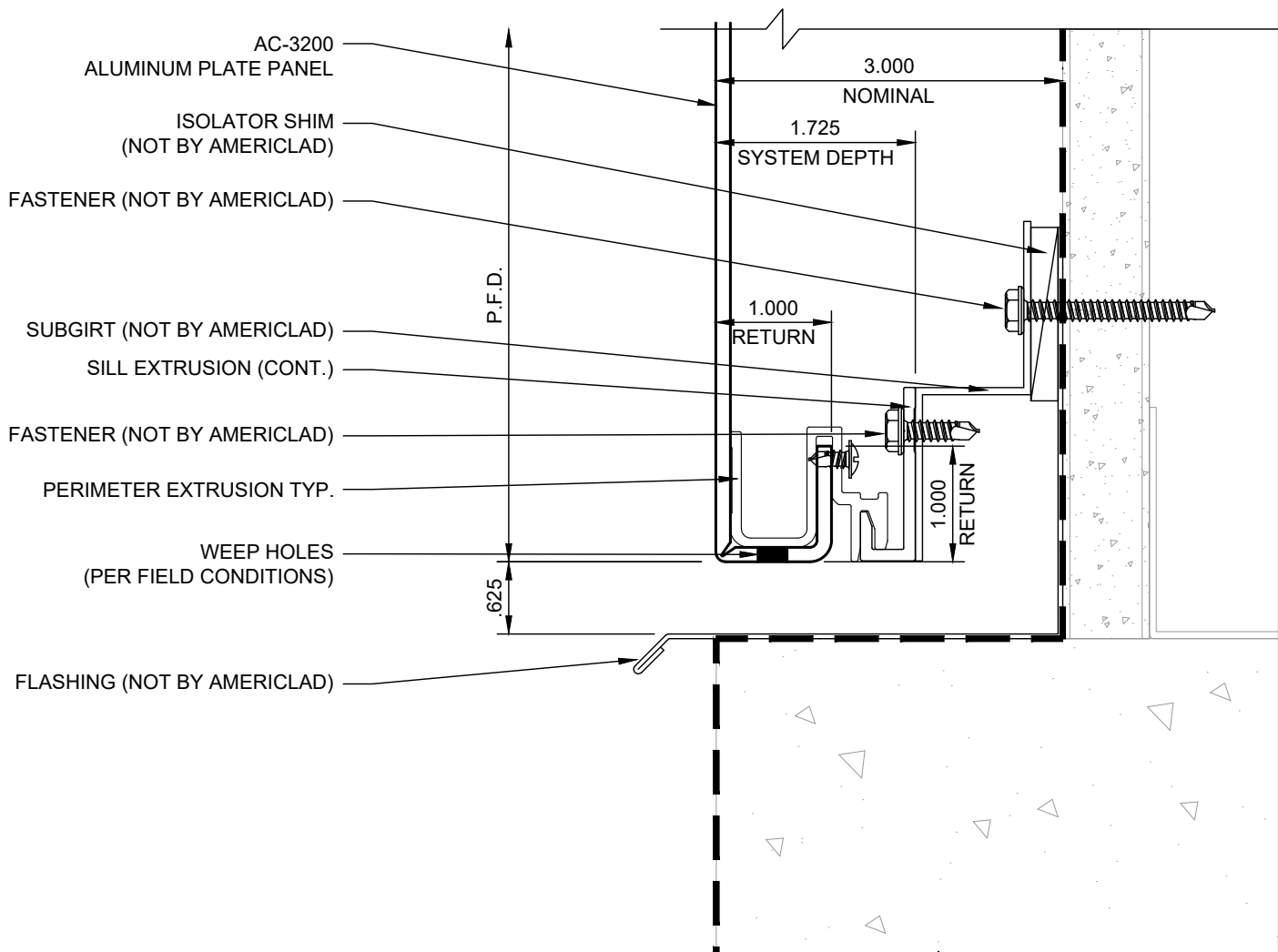


### BASE DETAIL

### DETAIL C

**NOTE:**

**LOAD BEARING WALL COMPONENTS OF EITHER: 16GA STEEL STUDS, STRUCTURAL MEMBERS, MINIMUM 5/8" PLYWOOD OR CONCRETE. GYPSUM BOARD AND CEMENT BOARD ARE NOT A STRUCTURAL COMPONENT.**





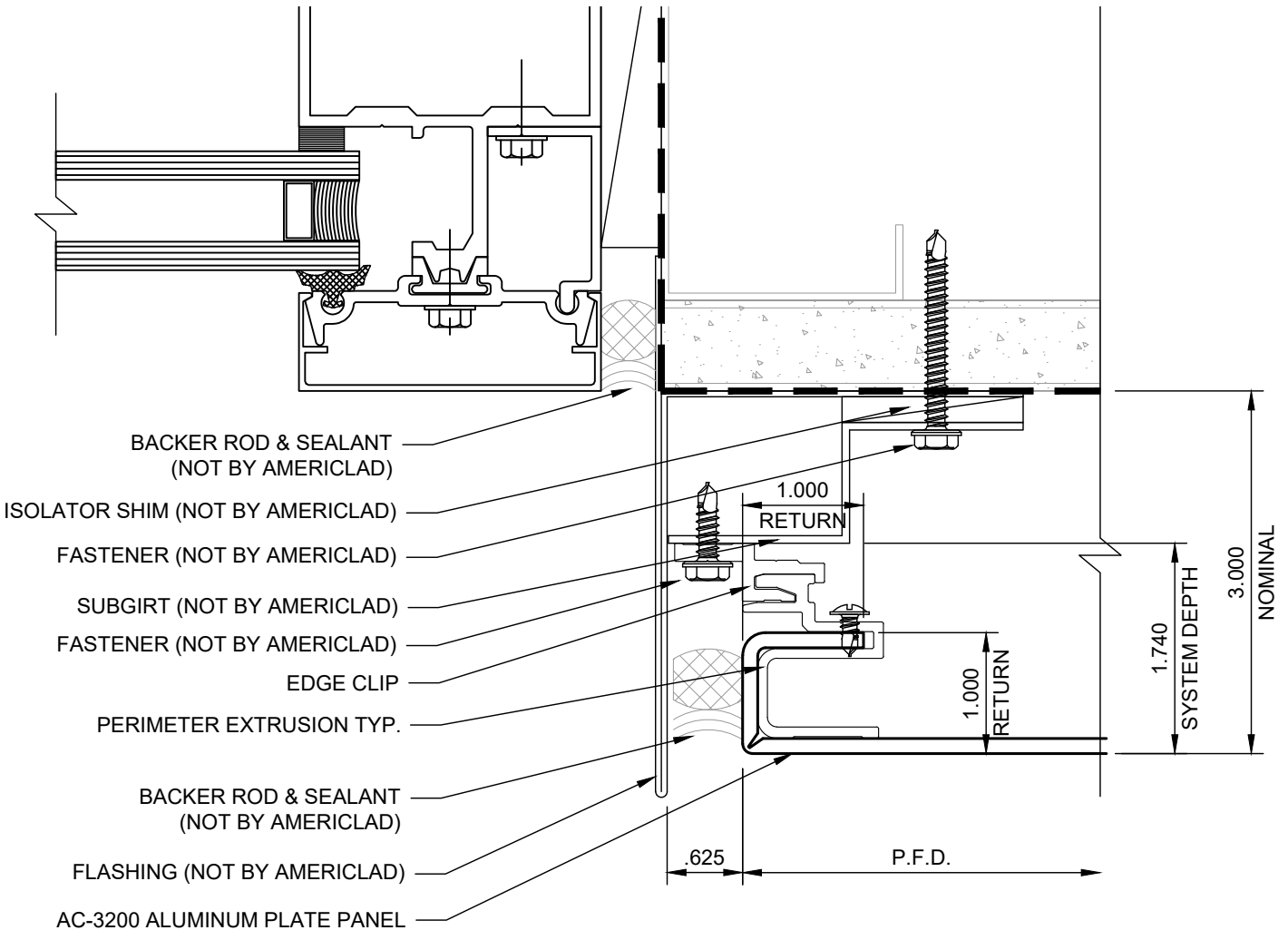
**AC-3200PE**  
PRESSURE EQUALIZED

**WINDOW JAMB DETAIL**

**DETAIL D**

**NOTE:**

**LOAD BEARING WALL COMPONENTS OF EITHER: 16GA STEEL STUDS, STRUCTURAL MEMBERS, MINIMUM 5/8" PLYWOOD OR CONCRETE. GYPSUM BOARD AND CEMENT BOARD ARE NOT A STRUCTURAL COMPONENT.**

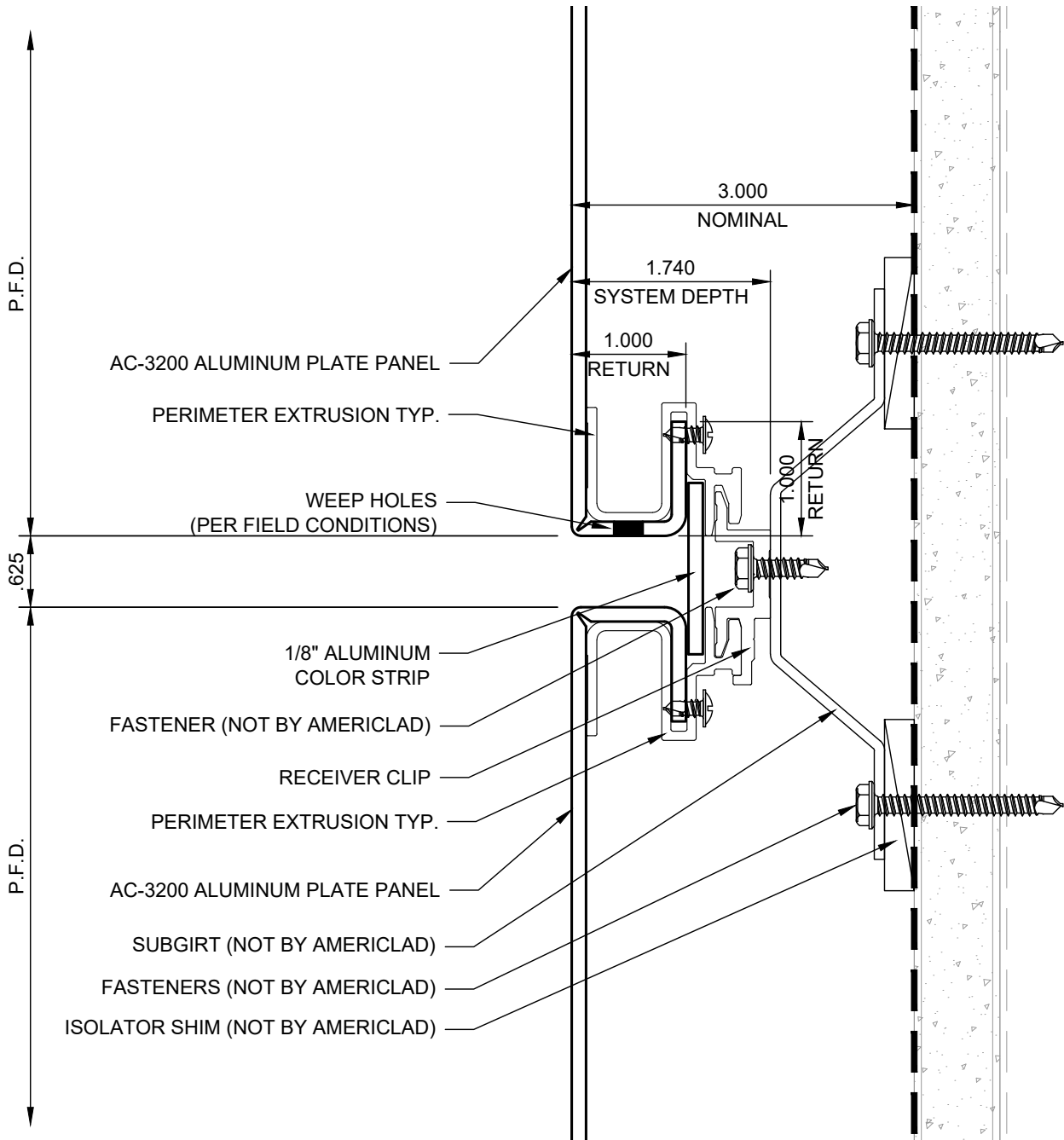


### FASTENING JOINT DETAIL

### DETAIL E

**NOTE:**

**LOAD BEARING WALL COMPONENTS OF EITHER: 16GA STEEL STUDS, STRUCTURAL MEMBERS, MINIMUM 5/8" PLYWOOD OR CONCRETE. GYPSUM BOARD AND CEMENT BOARD ARE NOT A STRUCTURAL COMPONENT.**





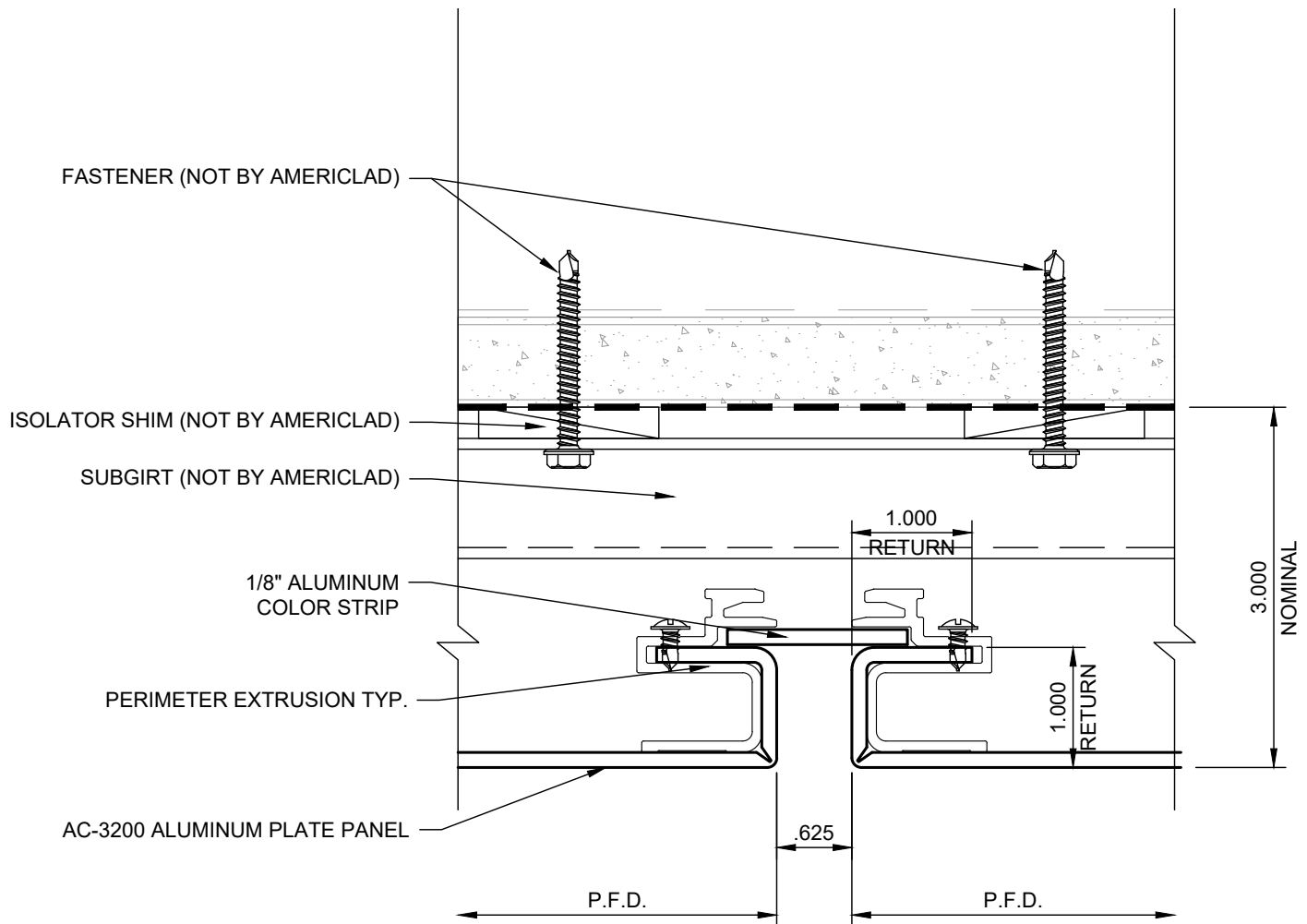
AC-3200PE  
PRESSURE EQUALIZED

NON - FASTENING JOINT DETAIL

DETAIL F

**NOTE:**

**LOAD BEARING WALL COMPONENTS OF EITHER: 16GA STEEL STUDS, STRUCTURAL MEMBERS, MINIMUM 5/8" PLYWOOD OR CONCRETE. GYPSUM BOARD AND CEMENT BOARD ARE NOT A STRUCTURAL COMPONENT.**



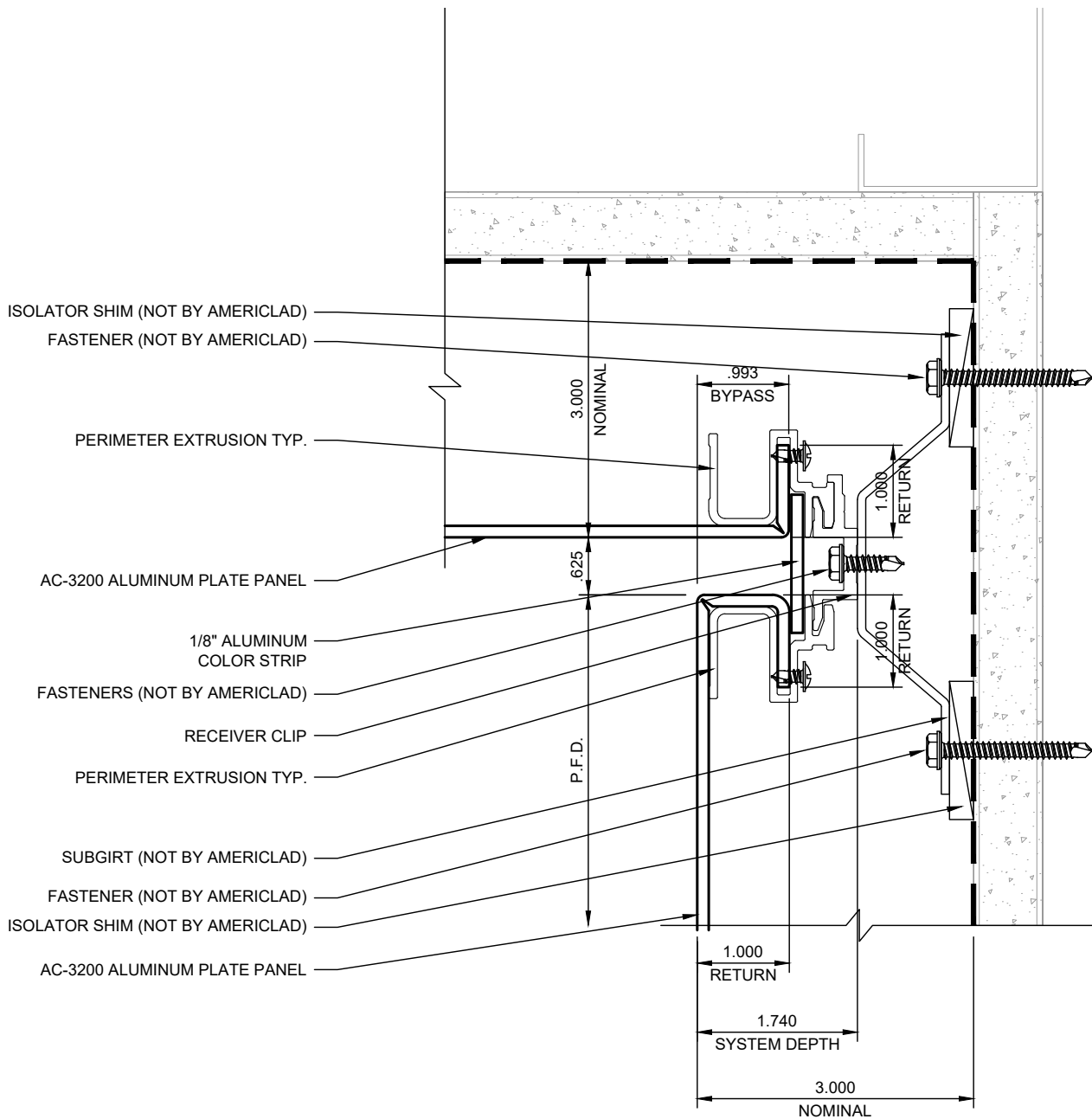


### INSIDE CORNER DETAIL (PLAN)

### DETAIL G

**NOTE:**

**LOAD BEARING WALL COMPONENTS OF EITHER: 16GA STEEL STUDS, STRUCTURAL MEMBERS, MINIMUM 5/8" PLYWOOD OR CONCRETE. GYPSUM BOARD AND CEMENT BOARD ARE NOT A STRUCTURAL COMPONENT.**





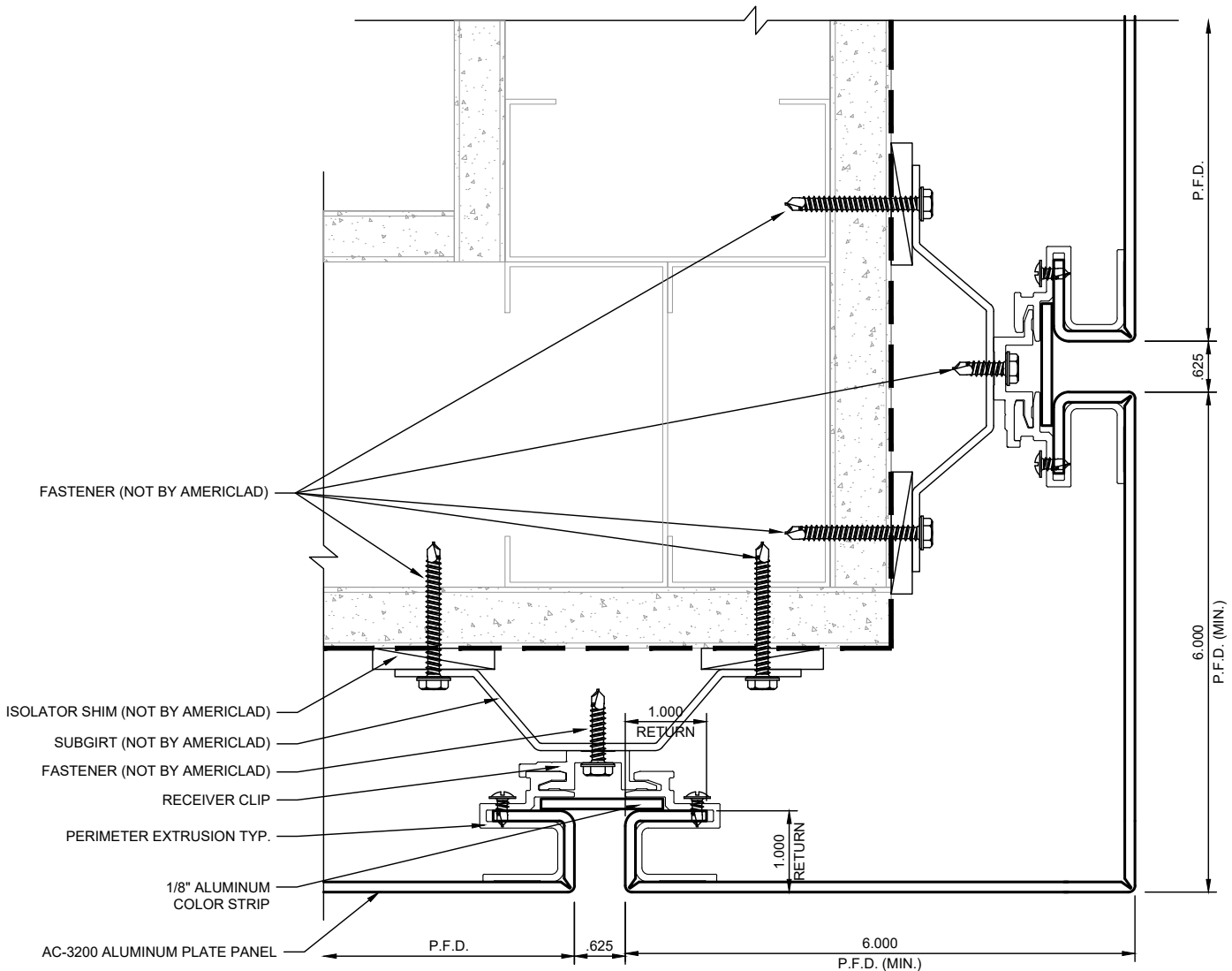
**AC-3200PE**  
PRESSURE EQUALIZED

**OUTSIDE CORNER DETAIL**

**DETAIL H**

**NOTE:**

**LOAD BEARING WALL COMPONENTS OF EITHER: 16GA STEEL STUDS, STRUCTURAL MEMBERS, MINIMUM 5/8" PLYWOOD OR CONCRETE. GYPSUM BOARD AND CEMENT BOARD ARE NOT A STRUCTURAL COMPONENT.**

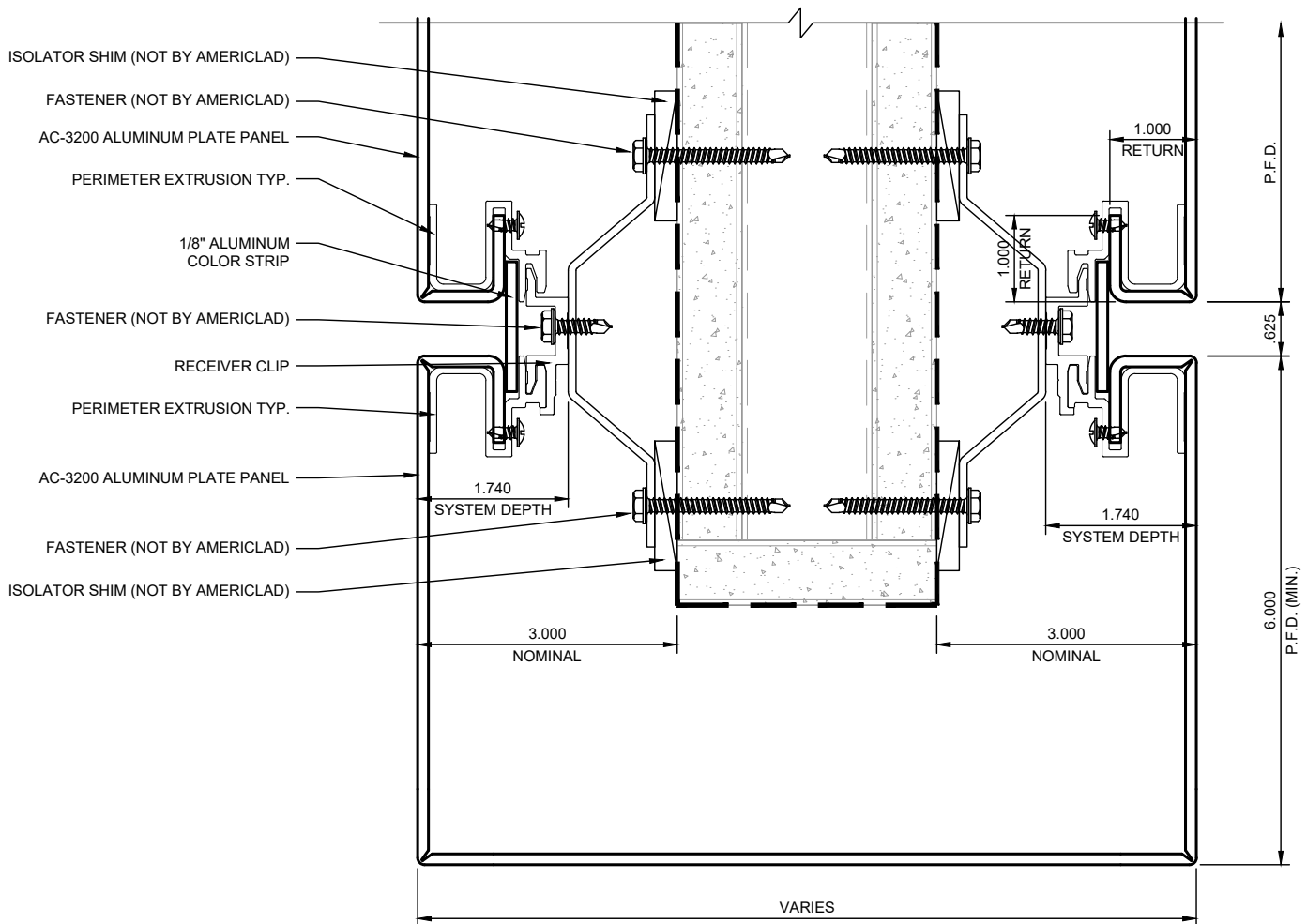


### END CAP DETAIL

### DETAIL J

**NOTE:**

**LOAD BEARING WALL COMPONENTS OF EITHER: 16GA STEEL STUDS, STRUCTURAL MEMBERS, MINIMUM 5/8" PLYWOOD OR CONCRETE. GYPSUM BOARD AND CEMENT BOARD ARE NOT A STRUCTURAL COMPONENT.**





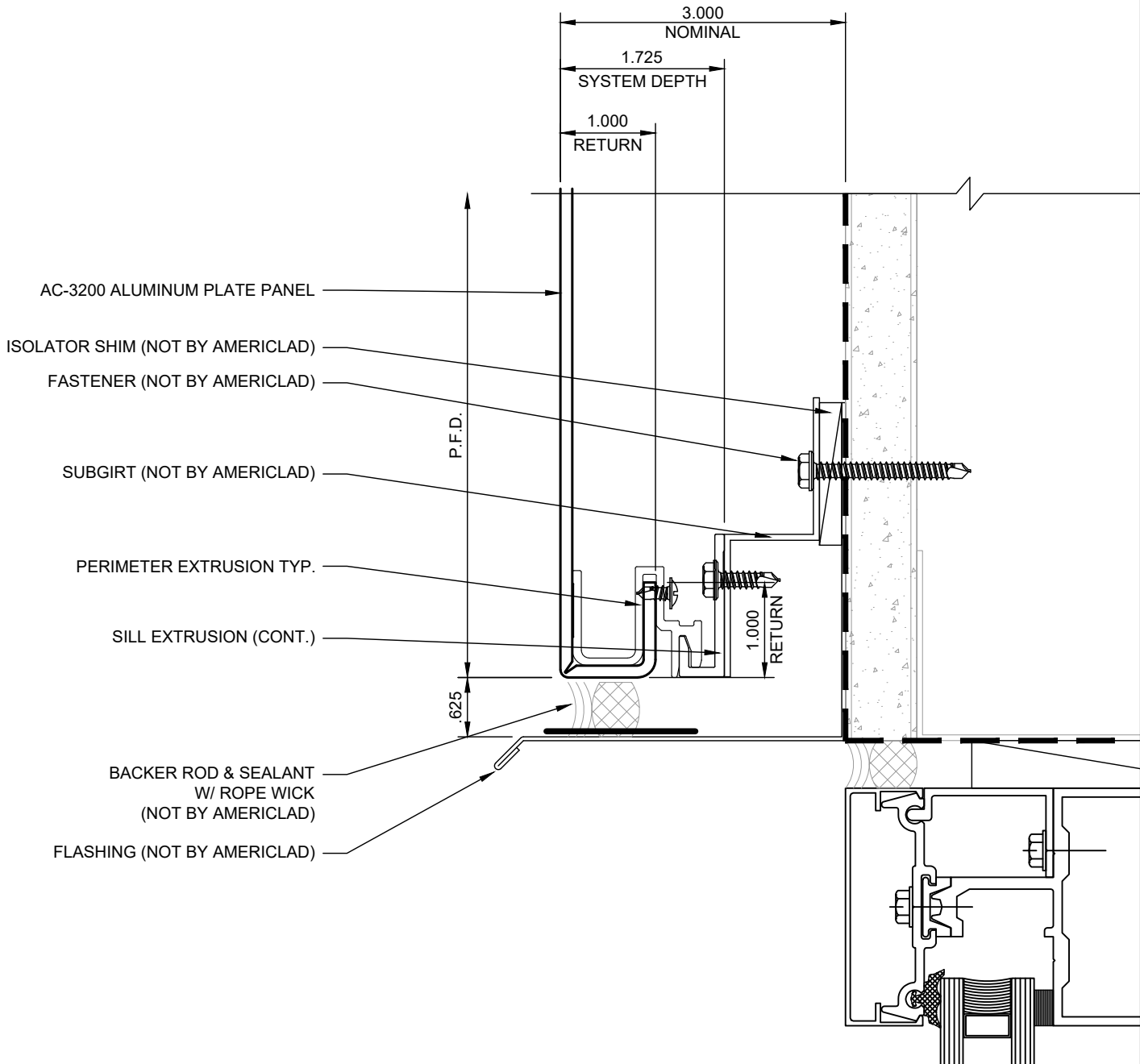
AC-3200PE  
PRESSURE EQUALIZED

WINDOW HEAD DETAIL

DETAIL K

**NOTE:**

**LOAD BEARING WALL COMPONENTS OF EITHER: 16GA STEEL STUDS, STRUCTURAL MEMBERS, MINIMUM 5/8" PLYWOOD OR CONCRETE. GYPSUM BOARD AND CEMENT BOARD ARE NOT A STRUCTURAL COMPONENT.**

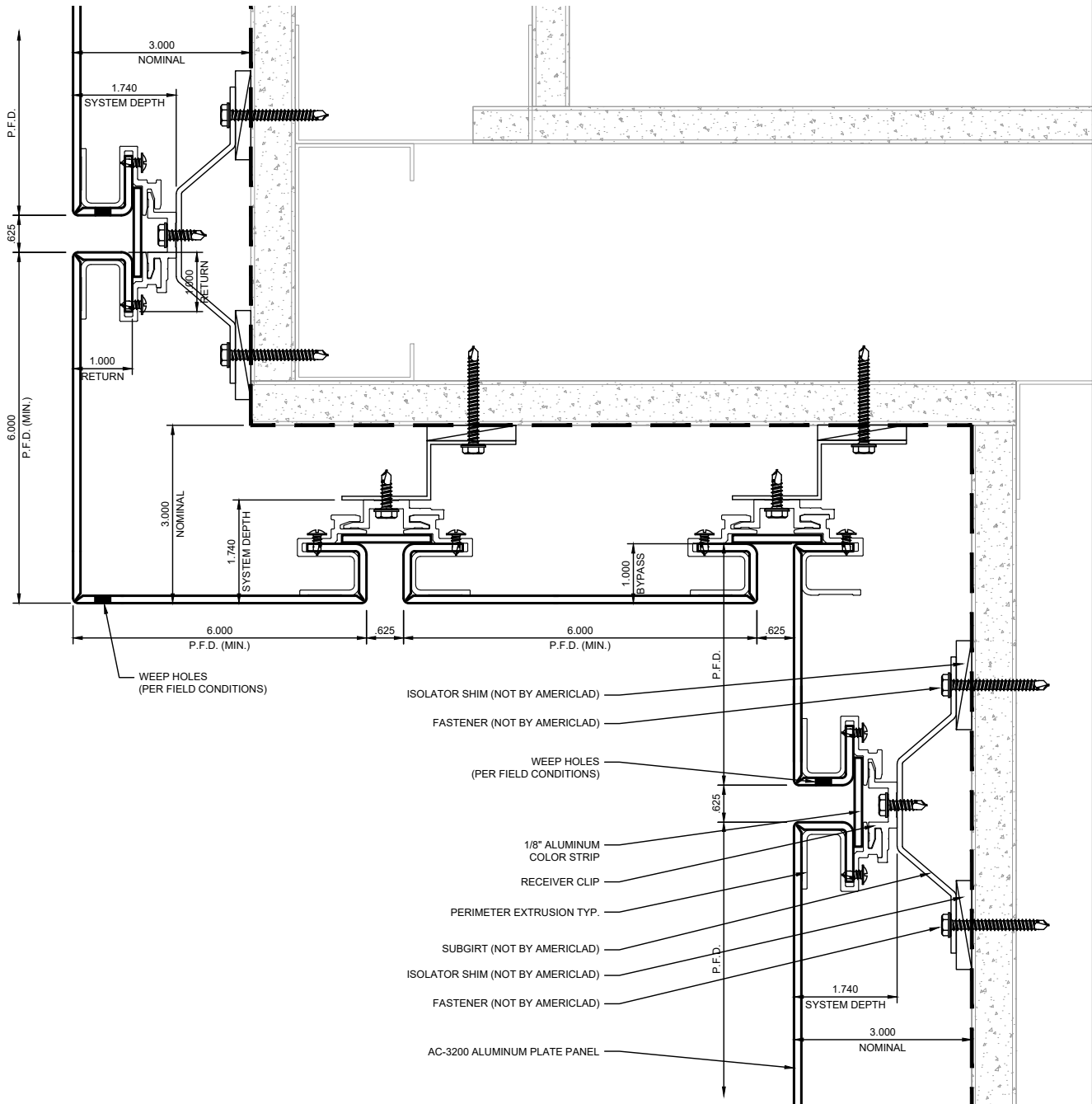


### SOFFIT TRANSITION DETAIL

### DETAIL L

**NOTE:**

**LOAD BEARING WALL COMPONENTS OF EITHER: 16GA STEEL STUDS, STRUCTURAL MEMBERS, MINIMUM 5/8" PLYWOOD OR CONCRETE. GYPSUM BOARD AND CEMENT BOARD ARE NOT A STRUCTURAL COMPONENT.**





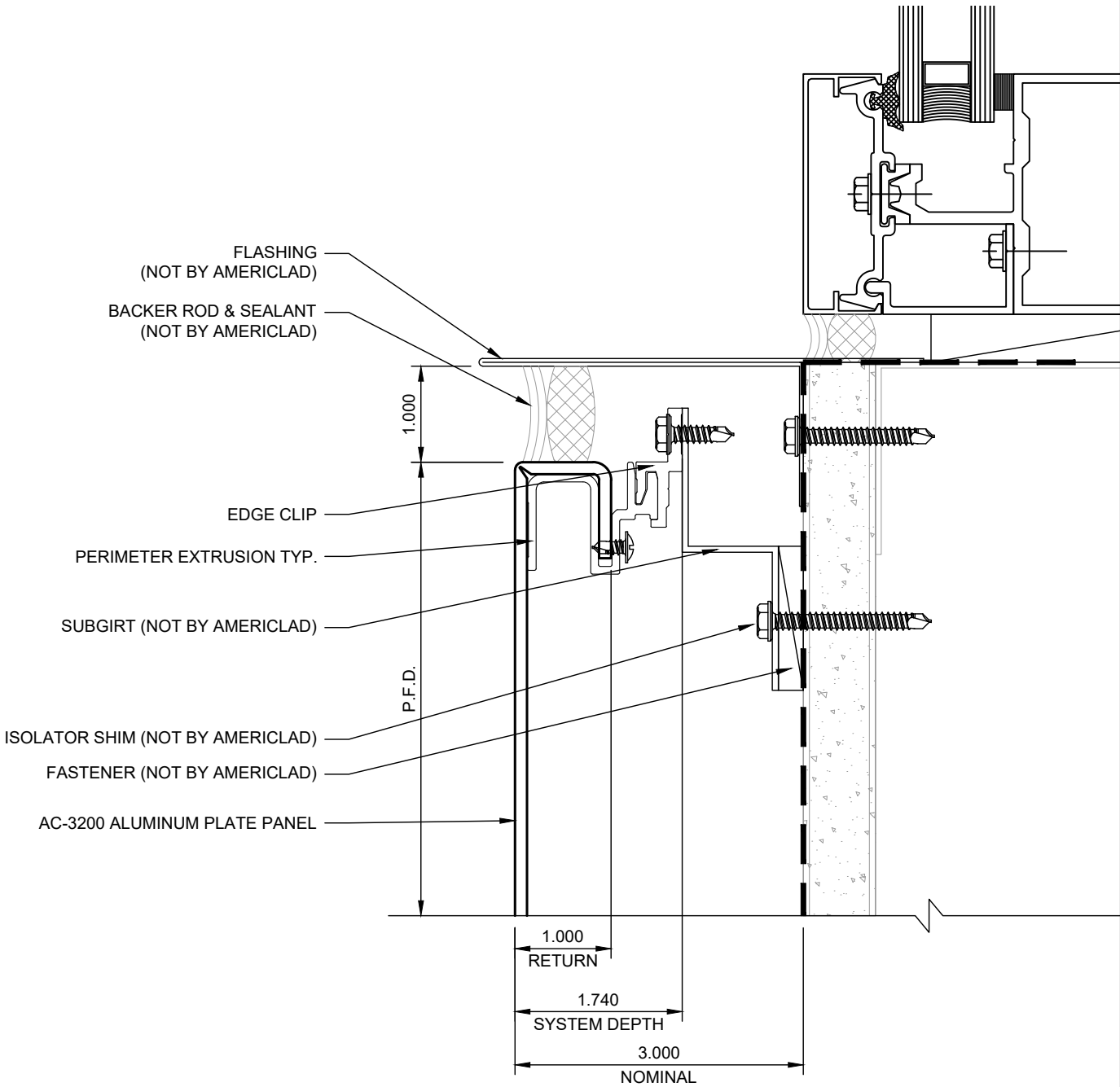
**AC-3200PE**  
**PRESSURE EQUALIZED**

**WINDOW SILL DETAIL**

**DETAIL M**

**NOTE:**

**LOAD BEARING WALL COMPONENTS OF EITHER: 16GA STEEL STUDS, STRUCTURAL MEMBERS, MINIMUM 5/8" PLYWOOD OR CONCRETE. GYPSUM BOARD AND CEMENT BOARD ARE NOT A STRUCTURAL COMPONENT.**





**AC-3200PE**  
PRESSURE EQUALIZED

**TERMINATION DETAIL**

**DETAIL N**

**NOTE:**

**LOAD BEARING WALL COMPONENTS OF EITHER: 16GA STEEL STUDS, STRUCTURAL MEMBERS, MINIMUM 5/8" PLYWOOD OR CONCRETE. GYPSUM BOARD AND CEMENT BOARD ARE NOT A STRUCTURAL COMPONENT.**

