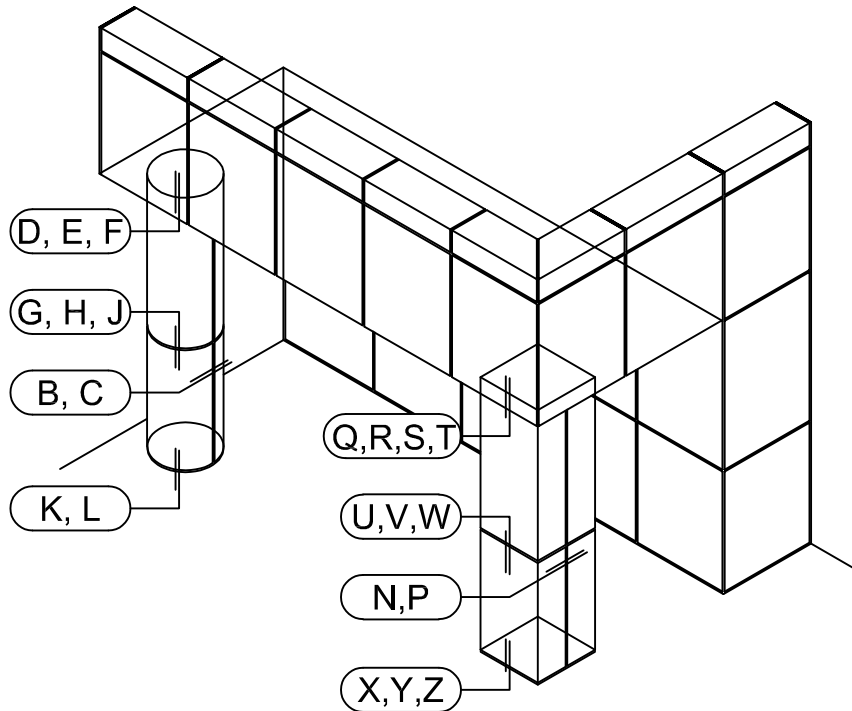


## ALUMINUM COLUMN COVER (REVEAL JOINT)

**NOTE:**

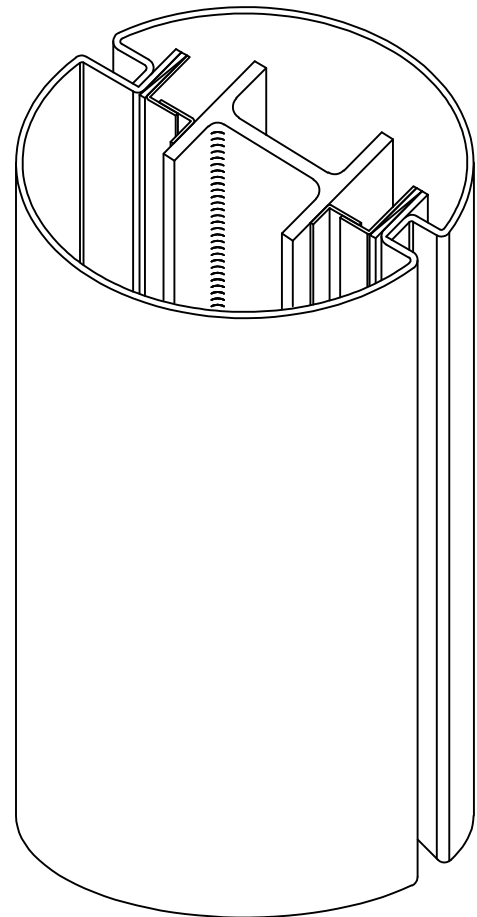
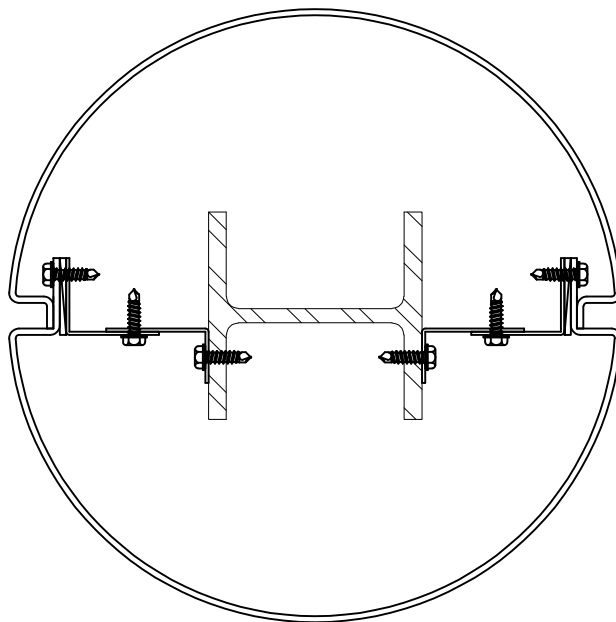
**LOAD BEARING WALL COMPONENTS OF EITHER: 16GA STEEL STUDS, STRUCTURAL MEMBERS, MINIMUM 5/8" PLYWOOD OR CONCRETE. GYPSUM BOARD AND CEMENT BOARD ARE NOT A STRUCTURAL COMPONENT.**



- |  |   |
|--|---|
| (A) RADIUSED - ISOMETRIC               | (M) RECTANGULAR - ISOMETRIC               |
| (B) RADIUSED - VERTICAL DETAIL (1)     | (N) RECTANGULAR - VERTICAL DETAIL (1)     |
| (C) RADIUSED - VERTICAL DETAIL (2)     | (P) RECTANGULAR - VERTICAL DETAIL (2)     |
| (D) RADIUSED - HEAD DETAIL (1)         | (Q) RECTANGULAR - HEAD DETAIL (1)         |
| (E) RADIUSED - HEAD DETAIL (2)         | (R) RECTANGULAR - HEAD DETAIL (2)         |
| (F) RADIUSED - HEAD DETAIL (3)         | (S) RECTANGULAR - HEAD DETAIL (3)         |
| (G) RADIUSED - INTERMEDIATE DETAIL (1) | (T) RECTANGULAR - HEAD DETAIL (4)         |
| (H) RADIUSED - INTERMEDIATE DETAIL (2) | (U) RECTANGULAR - INTERMEDIATE DETAIL (1) |
| (J) RADIUSED - INTERMEDIATE DETAIL (3) | (V) RECTANGULAR - INTERMEDIATE DETAIL (2) |
| (K) RADIUSED - BASE DETAIL (1)         | (W) RECTANGULAR - INTERMEDIATE DETAIL (3) |
| (L) RADIUSED - BASE DETAIL (2)         | (X) RECTANGULAR - BASE DETAIL (1)         |
|  | (Y) RECTANGULAR - BASE DETAIL (2)         |
|  | (Z) RECTANGULAR - BASE DETAIL (3)         |
|  | (AA) INSTALLATION GUIDE                   |

**RADIUSED - ISOMETRIC****DETAIL A****NOTE:**

**LOAD BEARING WALL COMPONENTS OF EITHER: 16GA STEEL STUDS, STRUCTURAL MEMBERS, MINIMUM 5/8" PLYWOOD OR CONCRETE. GYPSUM BOARD AND CEMENT BOARD ARE NOT A STRUCTURAL COMPONENT.**



**MINIMUM RADIUS (5 1/2") MAX LENGTH PER PANEL (16'-0")**

COPYRIGHT AMERICLAD, LLC

21925 Industrial Boulevard · Rogers, Minnesota · Toll-Free: 1-866-260-4047 · [americlad.com](http://americlad.com)

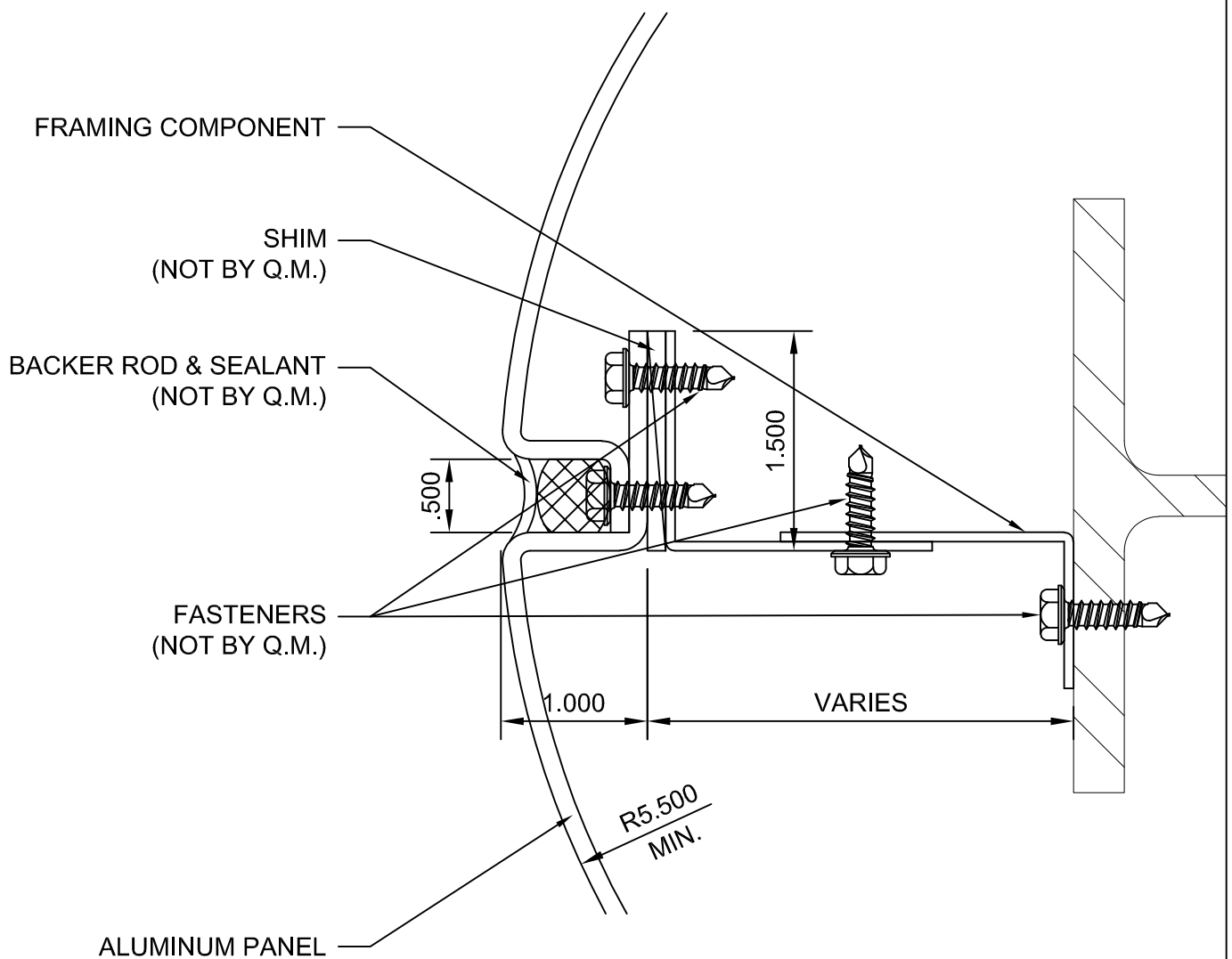
Architectural Metal Products

## RADIUSED - VERTICAL DETAIL (1)

## DETAIL B

**NOTE:**

**LOAD BEARING WALL COMPONENTS OF EITHER: 16GA STEEL STUDS, STRUCTURAL MEMBERS, MINIMUM 5/8" PLYWOOD OR CONCRETE. GYPSUM BOARD AND CEMENT BOARD ARE NOT A STRUCTURAL COMPONENT.**

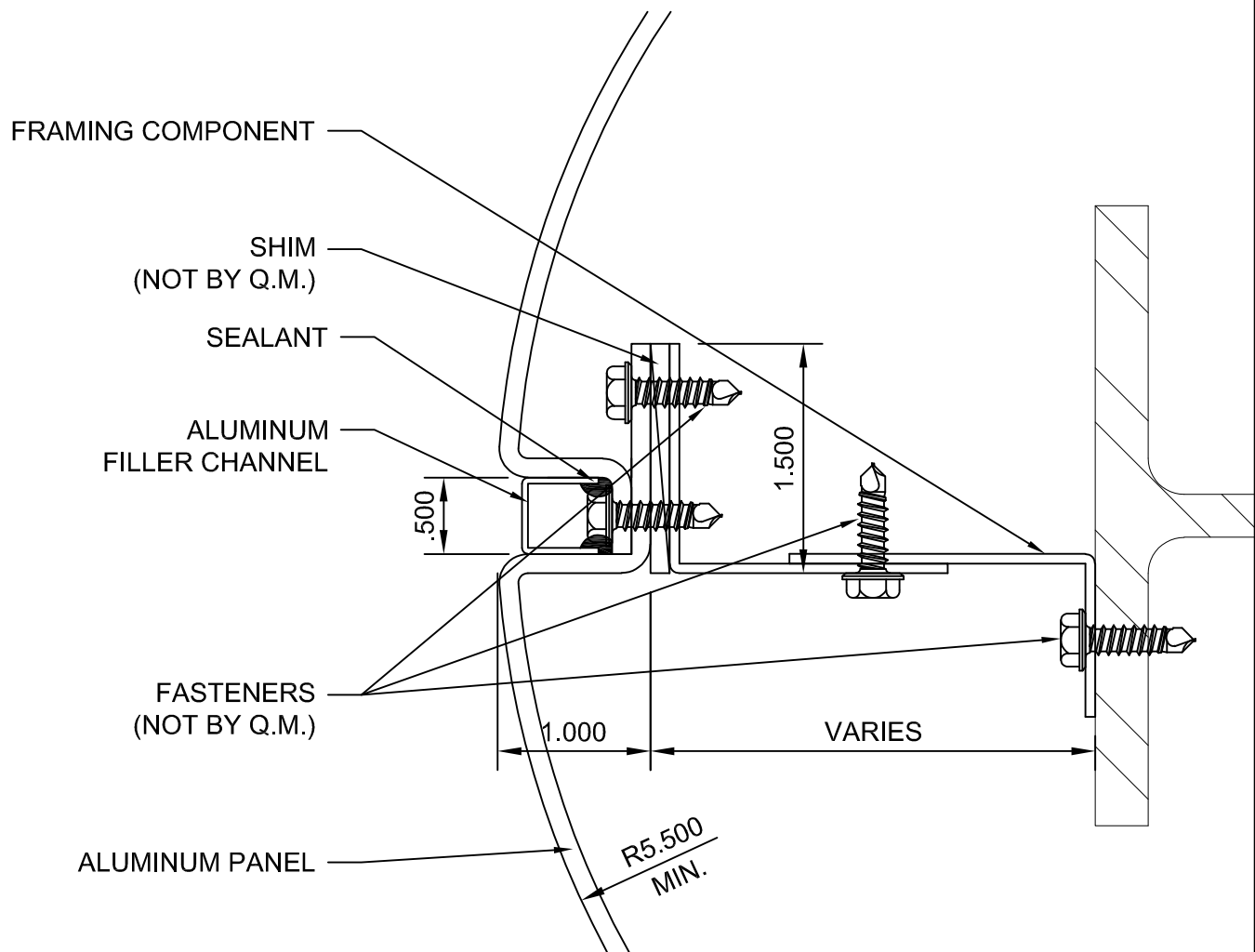


**RADIUSED - VERTICAL DETAIL (2)**

**DETAIL C**

**NOTE:**

**LOAD BEARING WALL COMPONENTS OF EITHER: 16GA STEEL STUDS, STRUCTURAL MEMBERS, MINIMUM 5/8" PLYWOOD OR CONCRETE. GYPSUM BOARD AND CEMENT BOARD ARE NOT A STRUCTURAL COMPONENT.**

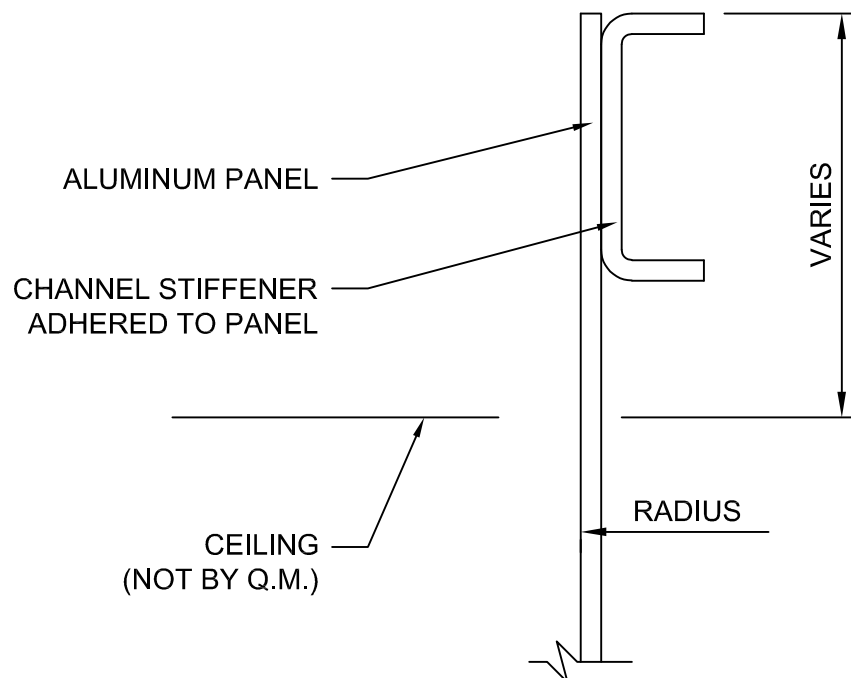


## RADIUSED - HEAD DETAIL (1)

## DETAIL D

**NOTE:**

LOAD BEARING WALL COMPONENTS OF EITHER: 16GA STEEL STUDS, STRUCTURAL MEMBERS, MINIMUM 5/8" PLYWOOD OR CONCRETE. GYPSUM BOARD AND CEMENT BOARD ARE NOT A STRUCTURAL COMPONENT.

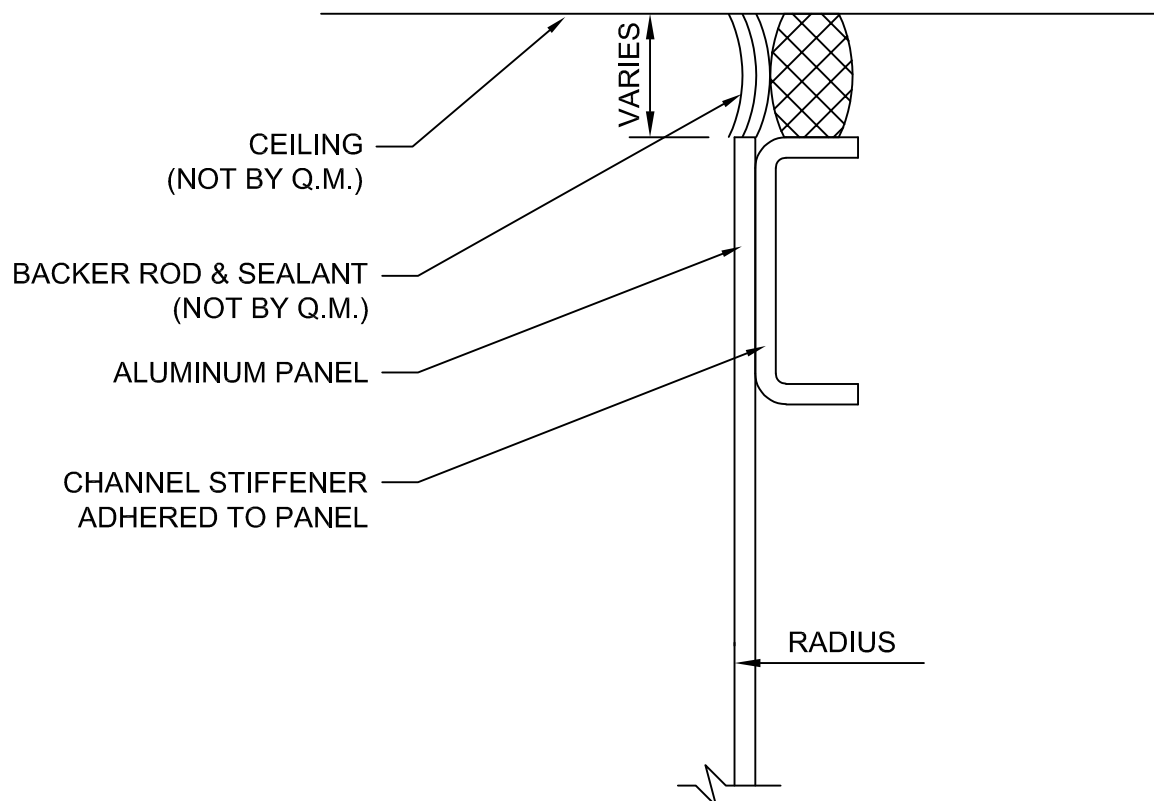


## RADIUSED - HEAD DETAIL (2)

## DETAIL E

**NOTE:**

LOAD BEARING WALL COMPONENTS OF EITHER: 16GA STEEL STUDS, STRUCTURAL MEMBERS, MINIMUM 5/8" PLYWOOD OR CONCRETE. GYPSUM BOARD AND CEMENT BOARD ARE NOT A STRUCTURAL COMPONENT.



BACKER ROD & SEALANT (OPTIONAL)

COPYRIGHT AMERICLAD, LLC

21925 Industrial Boulevard · Rogers, Minnesota · Toll-Free: 1-866-260-4047 · [americlad.com](http://americlad.com)

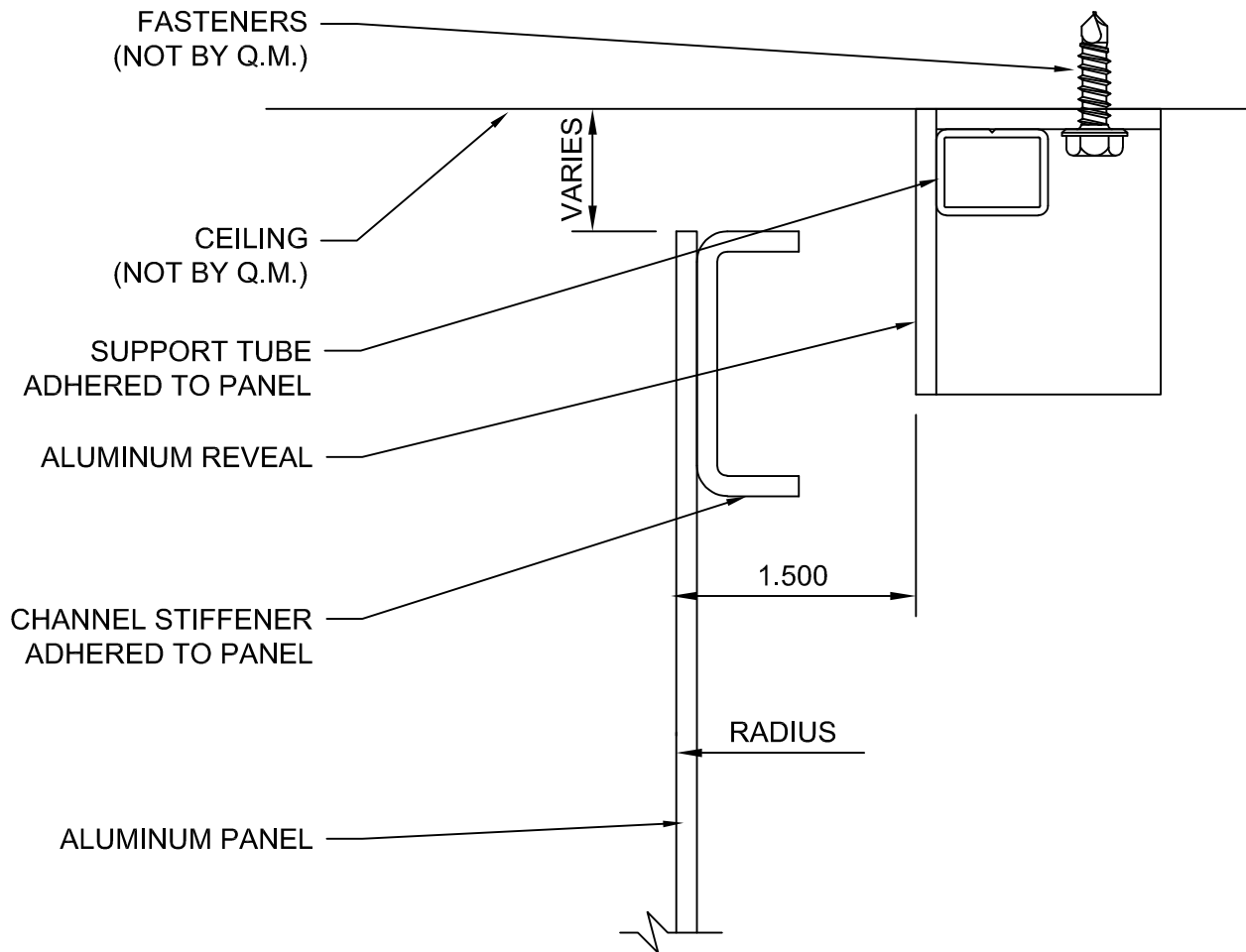
Architectural Metal Products

## RADIUSED - HEAD DETAIL (3)

## DETAIL F

**NOTE:**

**LOAD BEARING WALL COMPONENTS OF EITHER: 16GA STEEL STUDS, STRUCTURAL MEMBERS, MINIMUM 5/8" PLYWOOD OR CONCRETE. GYPSUM BOARD AND CEMENT BOARD ARE NOT A STRUCTURAL COMPONENT.**

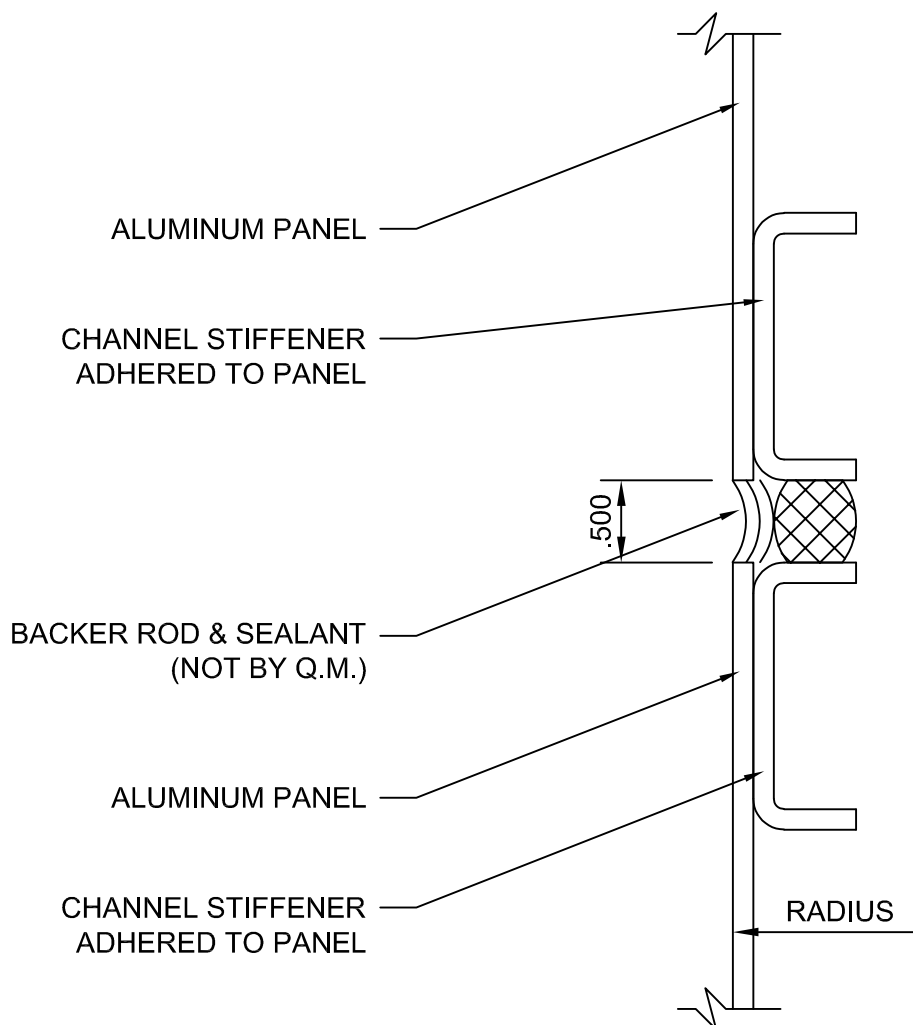


## RADIUSED - INTERMEDIATE DETAIL (1)

## DETAIL G

**NOTE:**

LOAD BEARING WALL COMPONENTS OF EITHER: 16GA STEEL STUDS, STRUCTURAL MEMBERS, MINIMUM 5/8" PLYWOOD OR CONCRETE. GYPSUM BOARD AND CEMENT BOARD ARE NOT A STRUCTURAL COMPONENT.



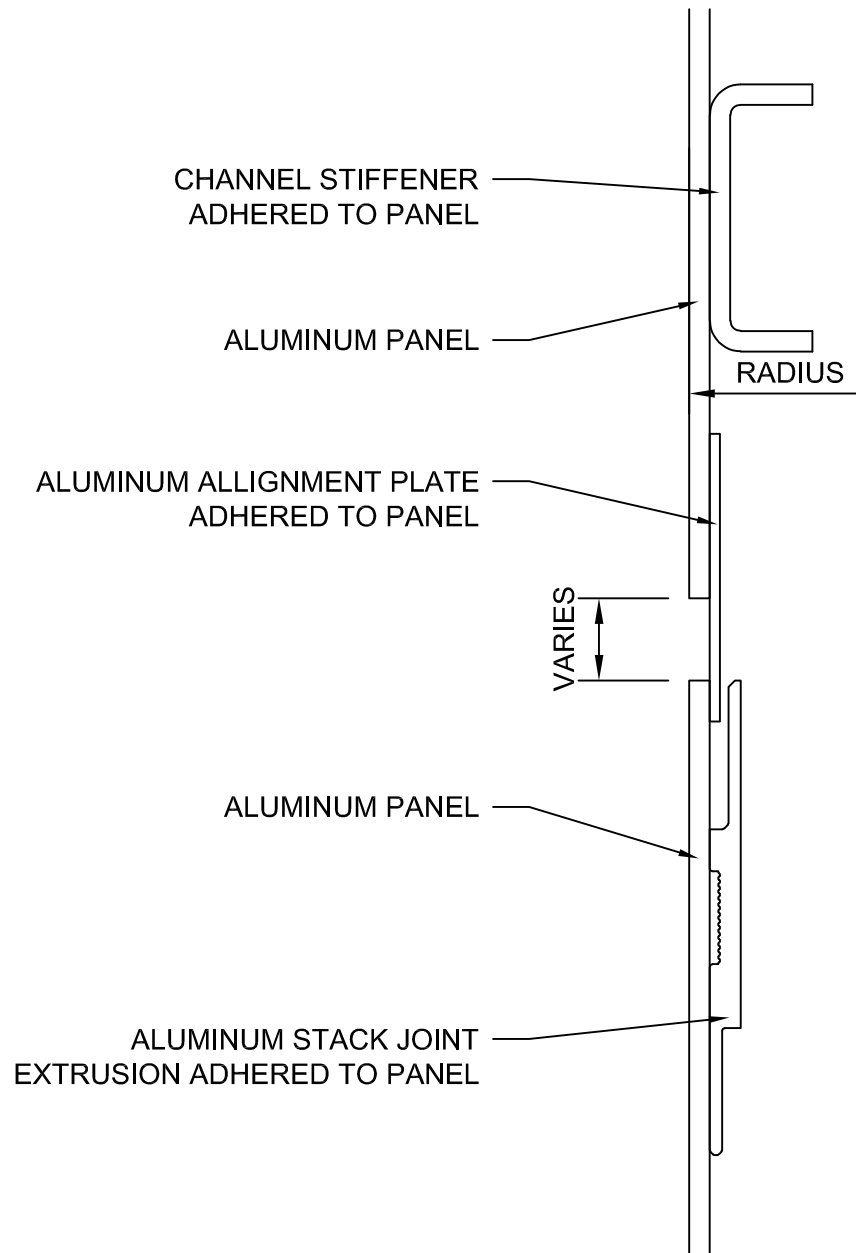


## RADIUSED - INTERMEDIATE DETAIL (2)

## DETAIL H

**NOTE:**

LOAD BEARING WALL COMPONENTS OF EITHER: 16GA STEEL STUDS, STRUCTURAL MEMBERS, MINIMUM 5/8" PLYWOOD OR CONCRETE. GYPSUM BOARD AND CEMENT BOARD ARE NOT A STRUCTURAL COMPONENT.

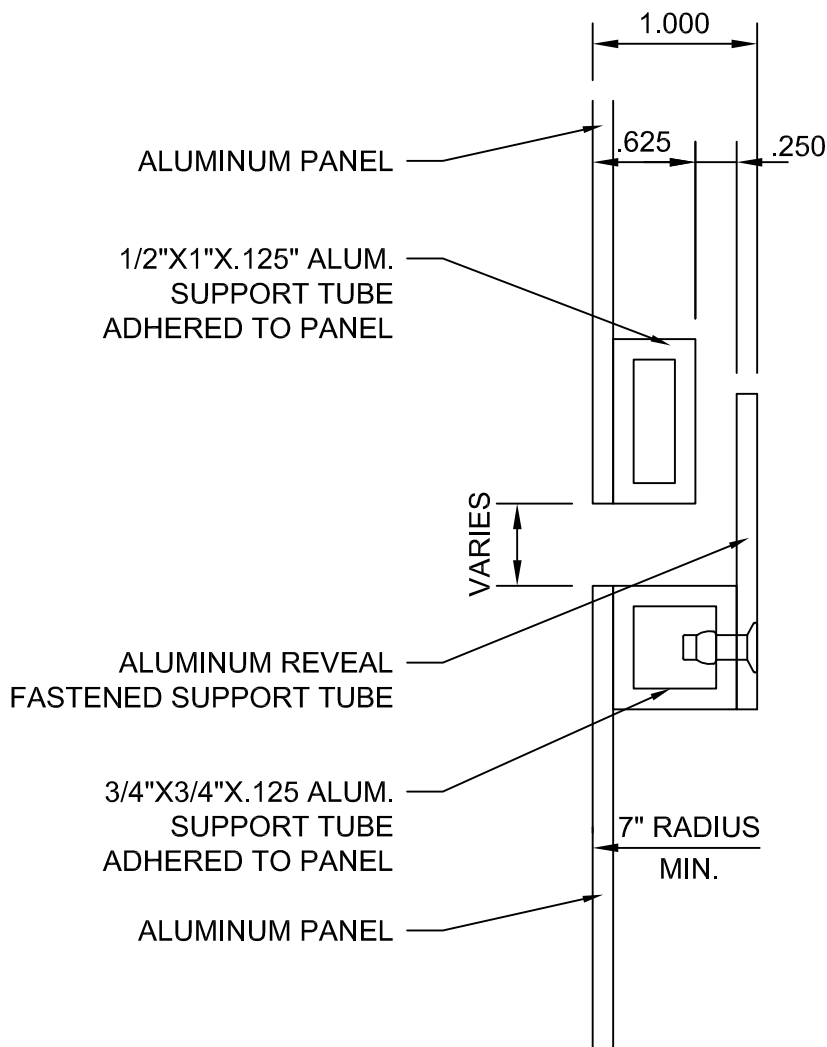


## RADIUSED - INTERMEDIATE DETAIL (3)

## DETAIL J

**NOTE:**

**LOAD BEARING WALL COMPONENTS OF EITHER: 16GA STEEL STUDS, STRUCTURAL MEMBERS, MINIMUM 5/8" PLYWOOD OR CONCRETE. GYPSUM BOARD AND CEMENT BOARD ARE NOT A STRUCTURAL COMPONENT.**

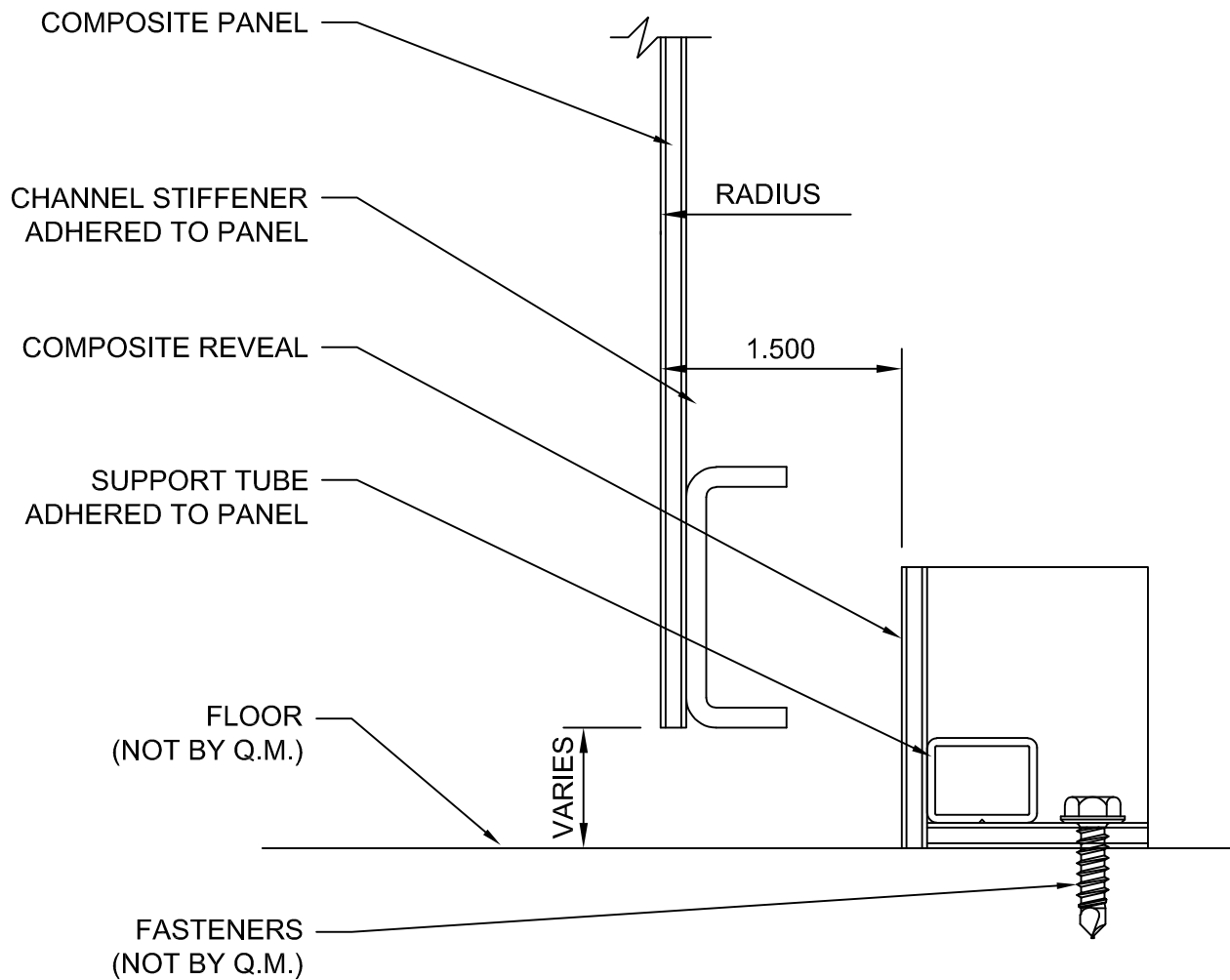


## RADIUSED - BASE DETAIL (2)

## DETAIL K

**NOTE:**

**LOAD BEARING WALL COMPONENTS OF EITHER: 16GA STEEL STUDS, STRUCTURAL MEMBERS, MINIMUM 5/8" PLYWOOD OR CONCRETE. GYPSUM BOARD AND CEMENT BOARD ARE NOT A STRUCTURAL COMPONENT.**

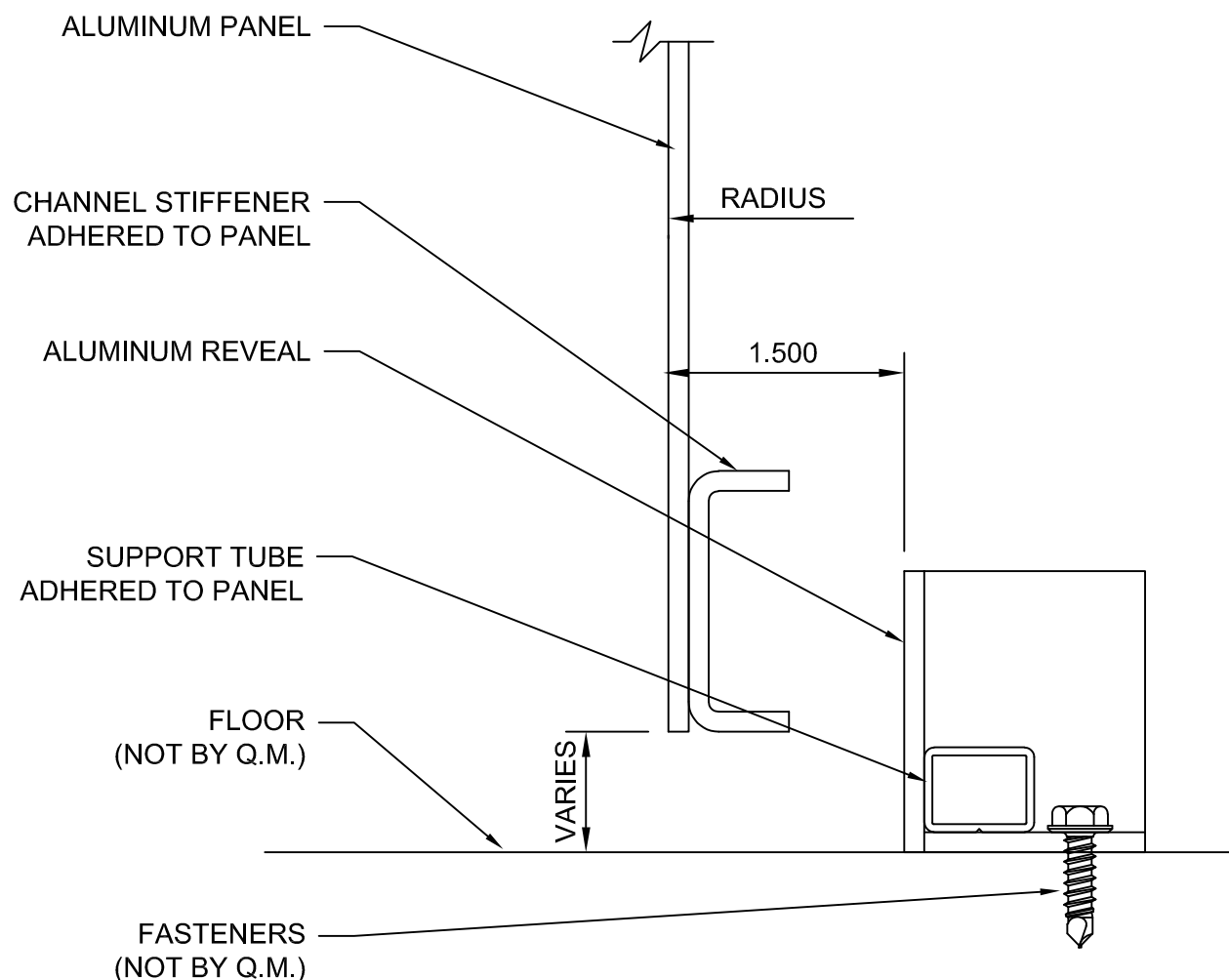


## RADIUSED - BASE DETAIL (2)

## DETAIL L

**NOTE:**

**LOAD BEARING WALL COMPONENTS OF EITHER: 16GA STEEL STUDS, STRUCTURAL MEMBERS, MINIMUM 5/8" PLYWOOD OR CONCRETE. GYPSUM BOARD AND CEMENT BOARD ARE NOT A STRUCTURAL COMPONENT.**

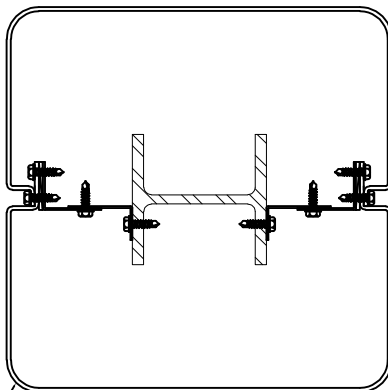
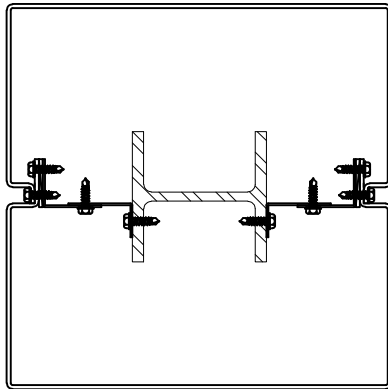


RECTANGULAR - ISOMETRIC

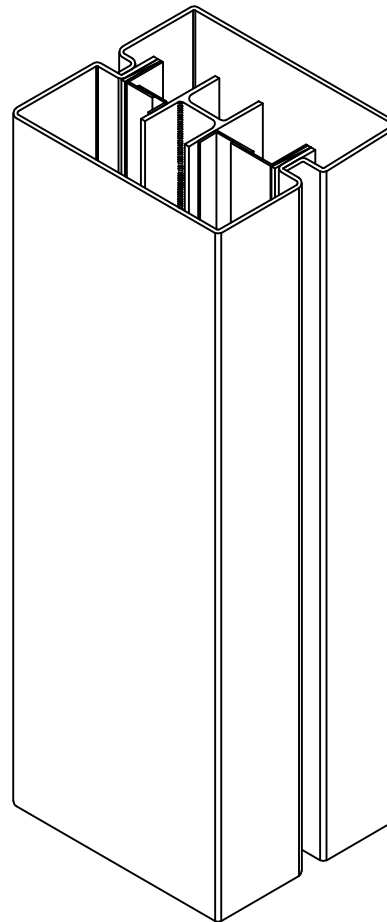
DETAIL M

**NOTE:**

**LOAD BEARING WALL COMPONENTS OF EITHER: 16GA STEEL STUDS, STRUCTURAL MEMBERS, MINIMUM 5/8" PLYWOOD OR CONCRETE. GYPSUM BOARD AND CEMENT BOARD ARE NOT A STRUCTURAL COMPONENT.**

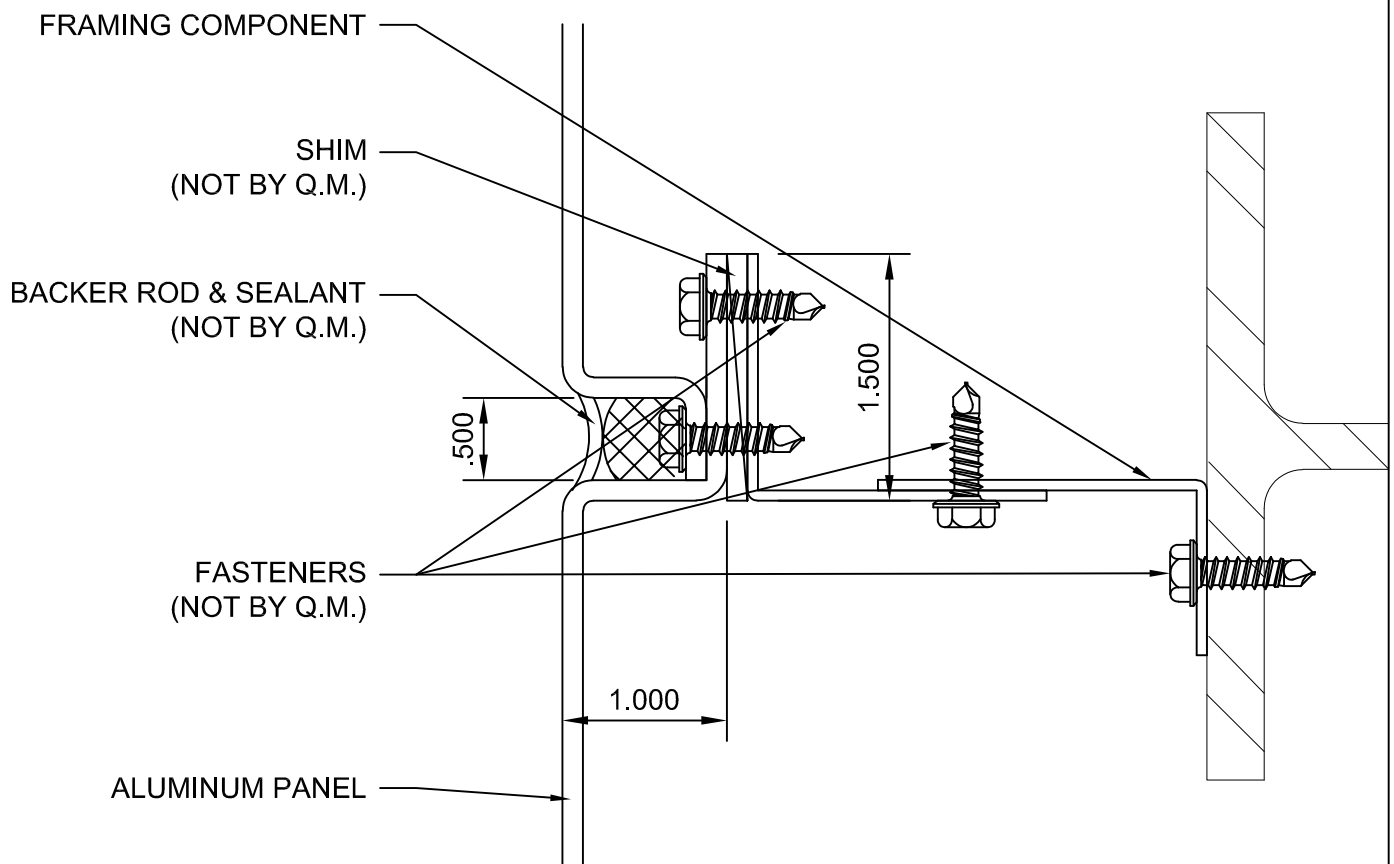


R1.000



**RECTANGULAR - VERTICAL DETAIL (1)**
**DETAIL N**
**NOTE:**

**LOAD BEARING WALL COMPONENTS OF EITHER: 16GA STEEL STUDS, STRUCTURAL MEMBERS, MINIMUM 5/8" PLYWOOD OR CONCRETE. GYPSUM BOARD AND CEMENT BOARD ARE NOT A STRUCTURAL COMPONENT.**

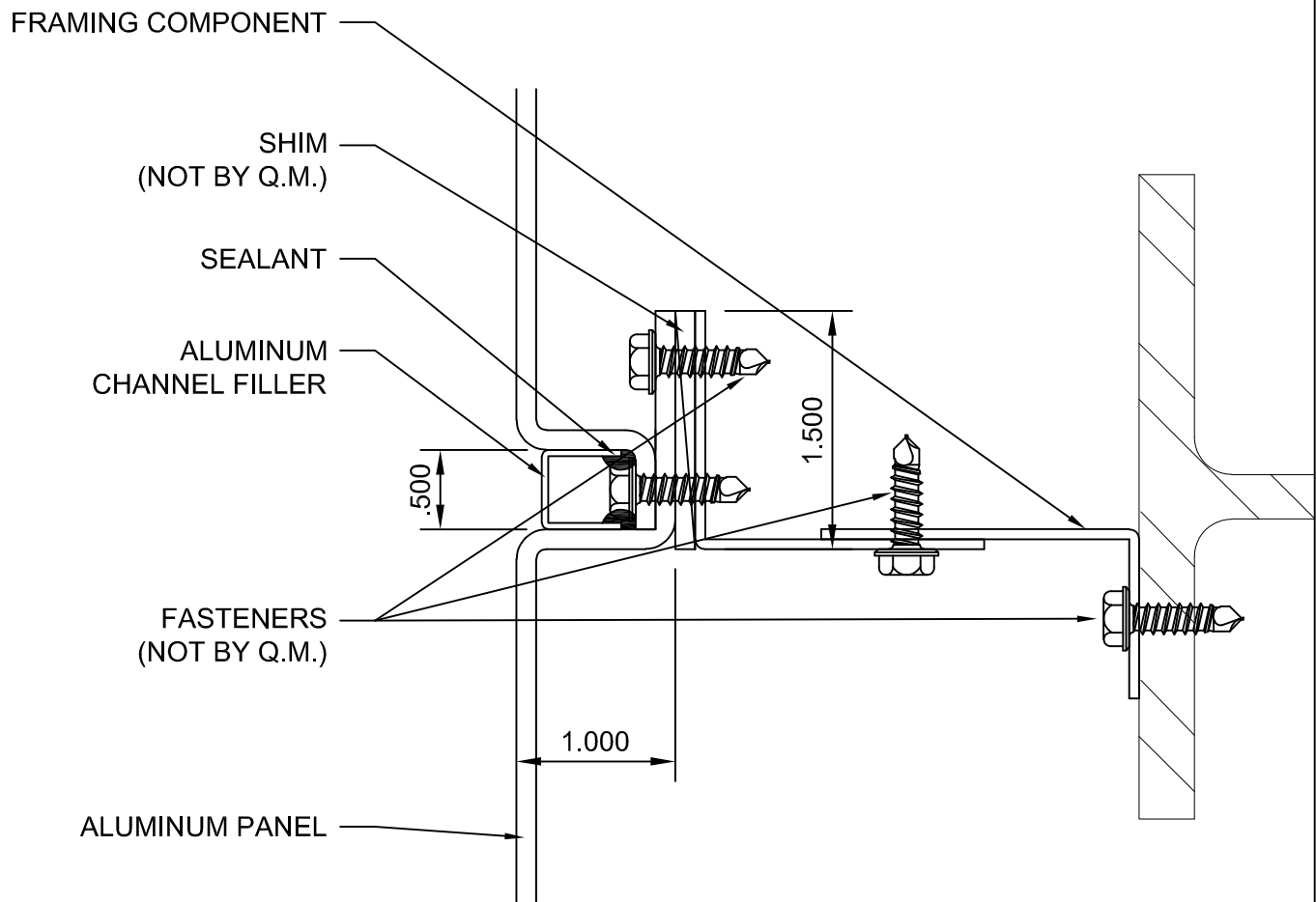


## RECTANGULAR - VERTICAL DETAIL (2)

## DETAIL P

**NOTE:**

LOAD BEARING WALL COMPONENTS OF EITHER: 16GA STEEL STUDS, STRUCTURAL MEMBERS, MINIMUM 5/8" PLYWOOD OR CONCRETE. GYPSUM BOARD AND CEMENT BOARD ARE NOT A STRUCTURAL COMPONENT.

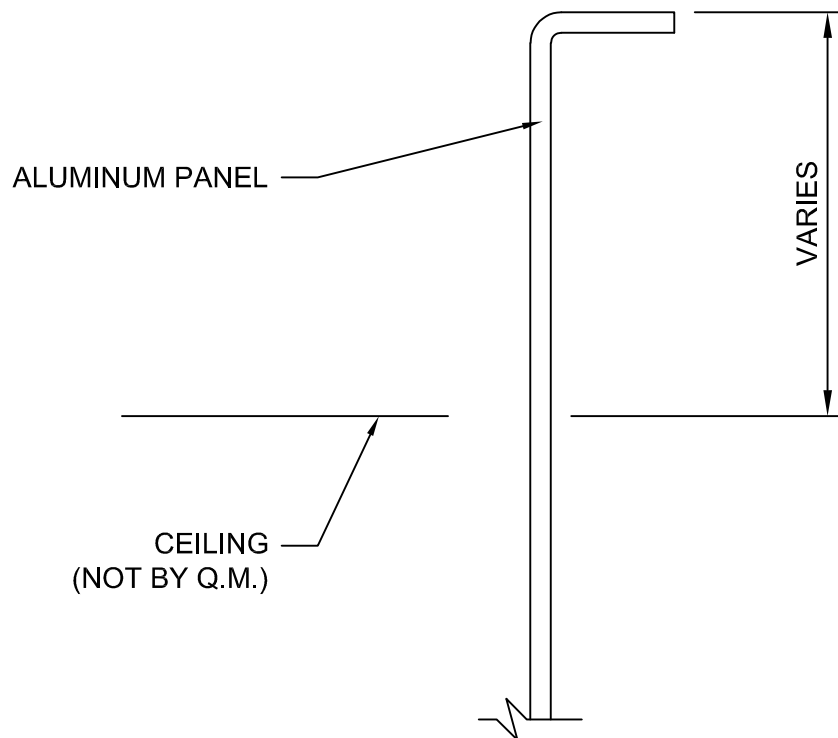


## RECTANGULAR - HEAD DETAIL (1)

## DETAIL Q

**NOTE:**

LOAD BEARING WALL COMPONENTS OF EITHER: 16GA STEEL STUDS, STRUCTURAL MEMBERS, MINIMUM 5/8" PLYWOOD OR CONCRETE. GYPSUM BOARD AND CEMENT BOARD ARE NOT A STRUCTURAL COMPONENT.



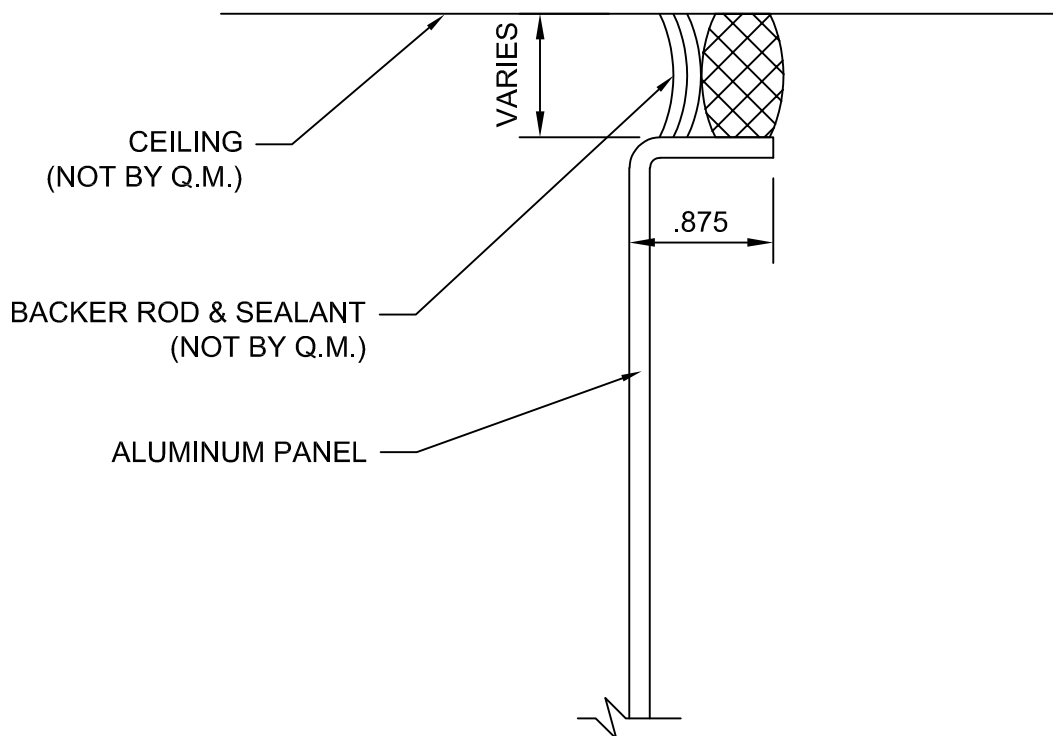


## RECTANGULAR - HEAD DETAIL (2)

## DETAIL R

**NOTE:**

LOAD BEARING WALL COMPONENTS OF EITHER: 16GA STEEL STUDS, STRUCTURAL MEMBERS, MINIMUM 5/8" PLYWOOD OR CONCRETE. GYPSUM BOARD AND CEMENT BOARD ARE NOT A STRUCTURAL COMPONENT.



BACKER ROD & SEALANT (OPTIONAL)

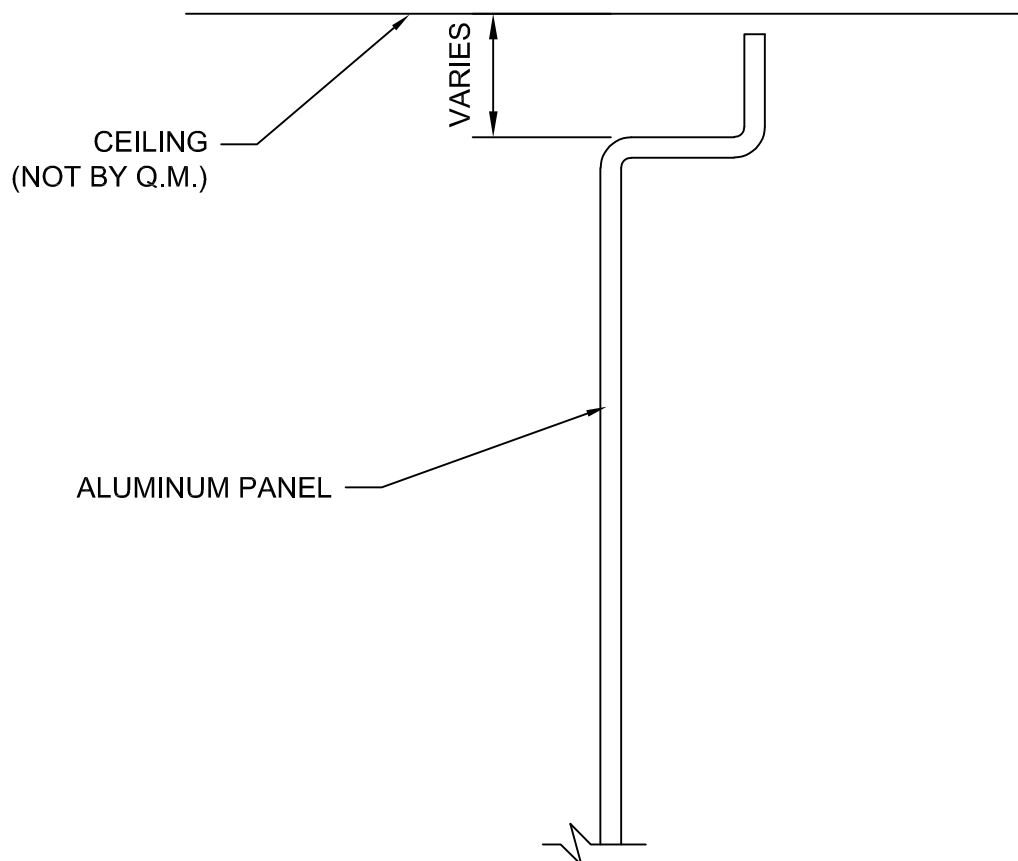
COPYRIGHT AMERICLAD, LLC

## RECTANGULAR - HEAD DETAIL (3)

## DETAIL S

**NOTE:**

LOAD BEARING WALL COMPONENTS OF EITHER: 16GA STEEL STUDS, STRUCTURAL MEMBERS, MINIMUM 5/8" PLYWOOD OR CONCRETE. GYPSUM BOARD AND CEMENT BOARD ARE NOT A STRUCTURAL COMPONENT.

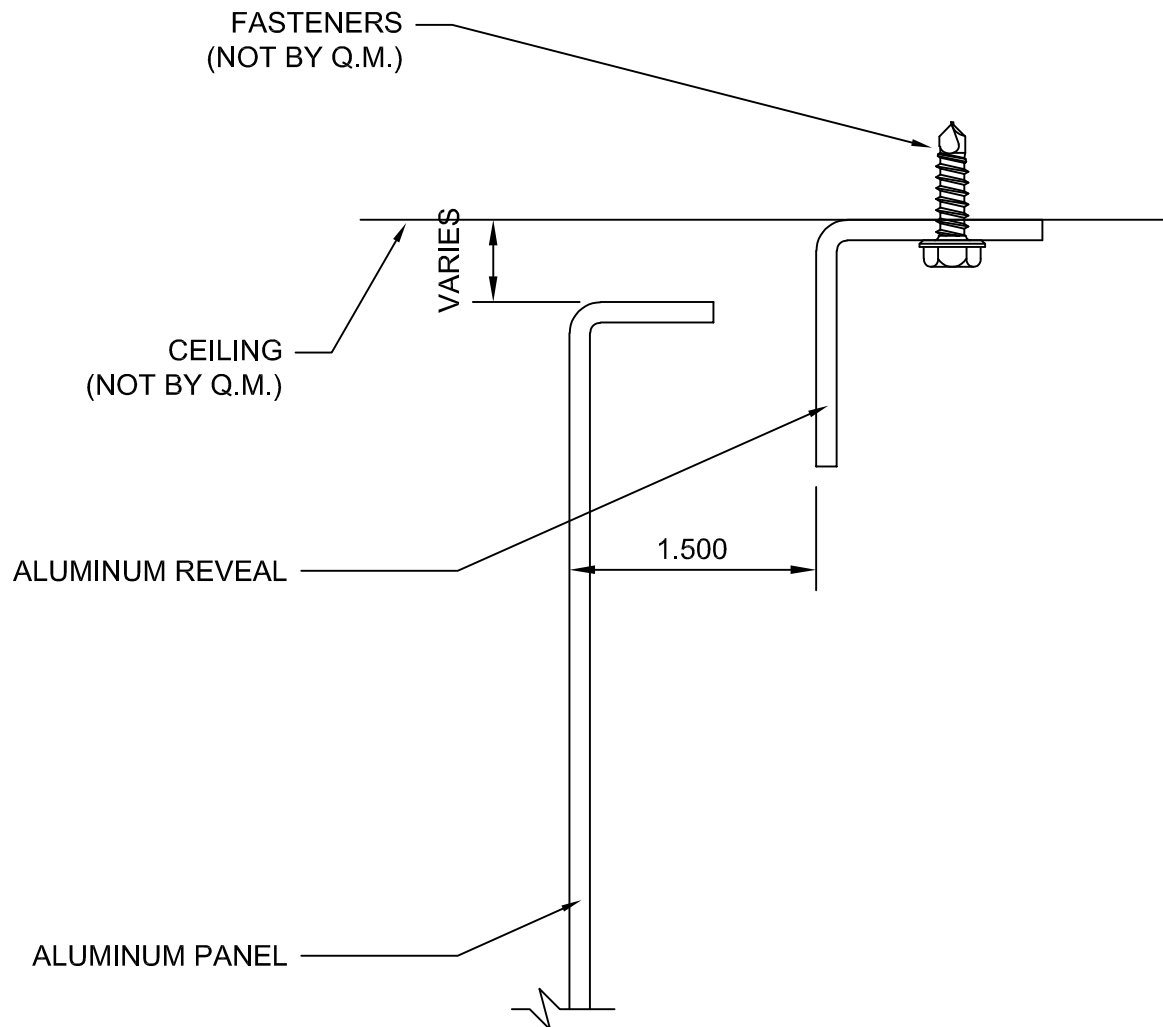


## RECTANGULAR - HEAD DETAIL (4)

## DETAIL T

**NOTE:**

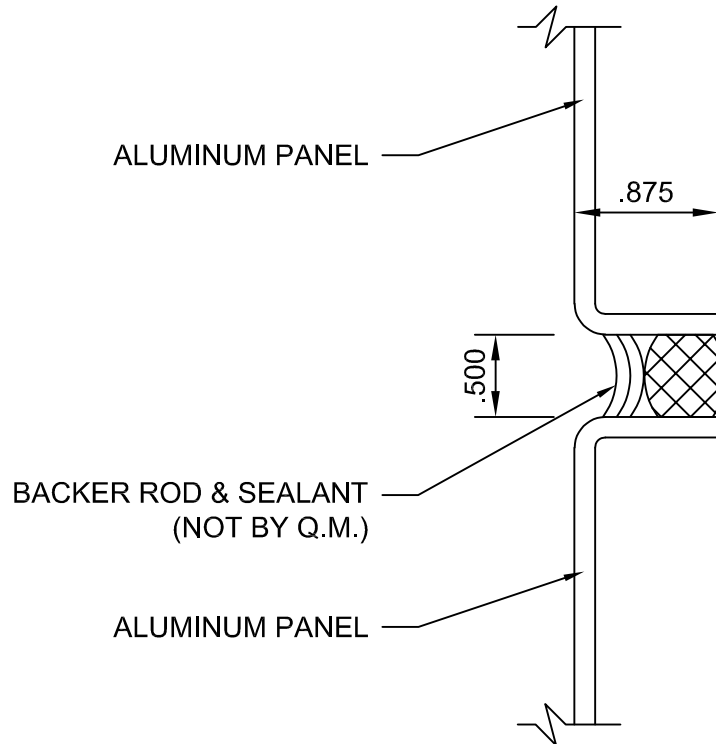
LOAD BEARING WALL COMPONENTS OF EITHER: 16GA STEEL STUDS, STRUCTURAL MEMBERS, MINIMUM 5/8" PLYWOOD OR CONCRETE. GYPSUM BOARD AND CEMENT BOARD ARE NOT A STRUCTURAL COMPONENT.



## RECTANGULAR - INTERMEDIATE DETAIL (1)      DETAIL U

**NOTE:**

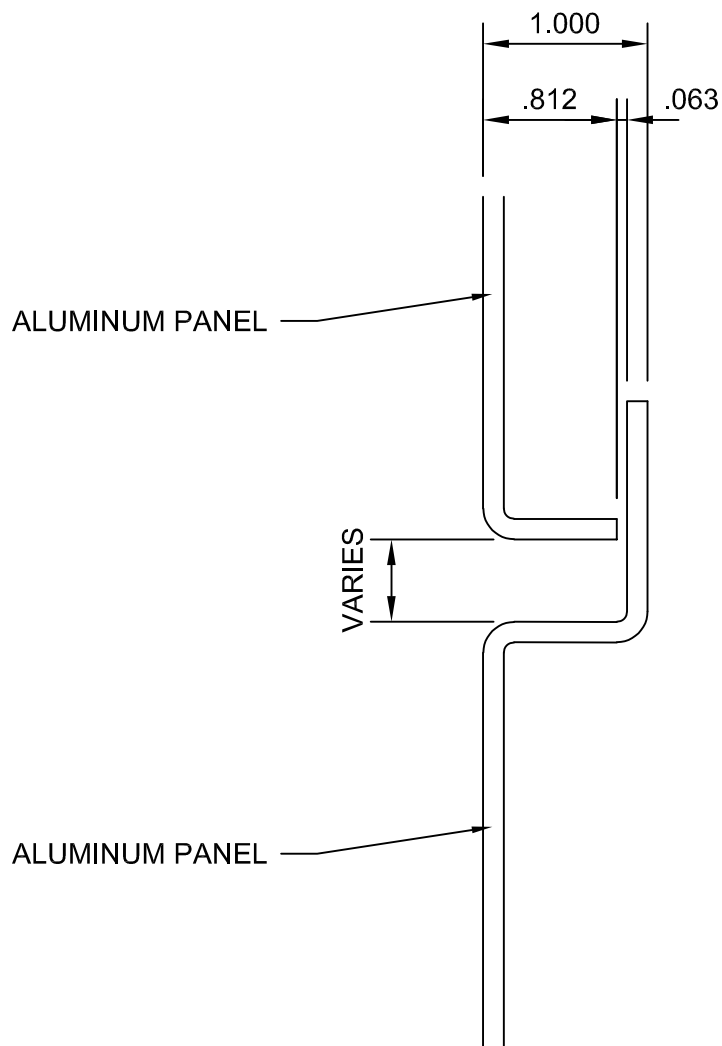
LOAD BEARING WALL COMPONENTS OF EITHER: 16GA STEEL STUDS, STRUCTURAL MEMBERS, MINIMUM 5/8" PLYWOOD OR CONCRETE. GYPSUM BOARD AND CEMENT BOARD ARE NOT A STRUCTURAL COMPONENT.



## RECTANGULAR - INTERMEDIATE DETAIL (2)      DETAIL V

**NOTE:**

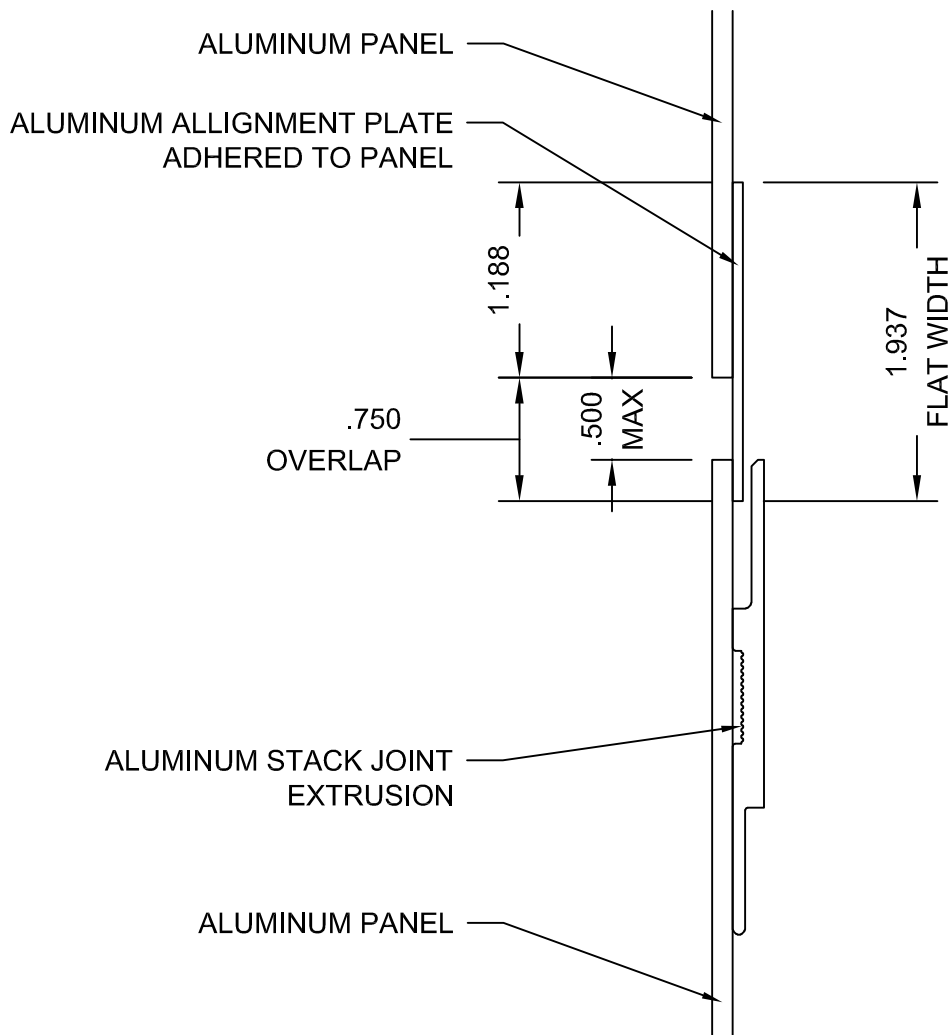
LOAD BEARING WALL COMPONENTS OF EITHER: 16GA STEEL STUDS, STRUCTURAL MEMBERS, MINIMUM 5/8" PLYWOOD OR CONCRETE. GYPSUM BOARD AND CEMENT BOARD ARE NOT A STRUCTURAL COMPONENT.



# RECTANGULAR - INTERMEDIATE DETAIL (3)      DETAIL W

**NOTE:**

**LOAD BEARING WALL COMPONENTS OF EITHER: 16GA STEEL STUDS, STRUCTURAL MEMBERS, MINIMUM 5/8" PLYWOOD OR CONCRETE. GYPSUM BOARD AND CEMENT BOARD ARE NOT A STRUCTURAL COMPONENT.**

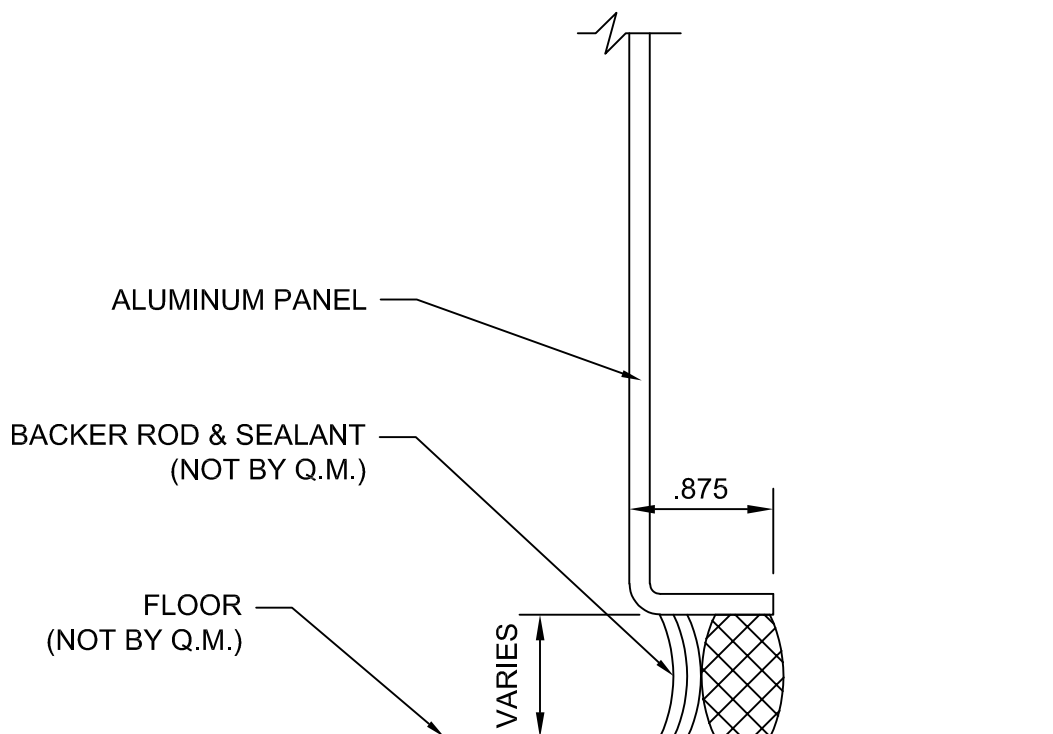


## RECTANGULAR - BASE DETAIL (1)

## DETAIL X

**NOTE:**

LOAD BEARING WALL COMPONENTS OF EITHER: 16GA STEEL STUDS, STRUCTURAL MEMBERS, MINIMUM 5/8" PLYWOOD OR CONCRETE. GYPSUM BOARD AND CEMENT BOARD ARE NOT A STRUCTURAL COMPONENT.



BACKER ROD & SEALANT (OPTIONAL)

COPYRIGHT AMERICLAD, LLC

21925 Industrial Boulevard · Rogers, Minnesota · Toll-Free: 1-866-260-4047 · [americlad.com](http://americlad.com)

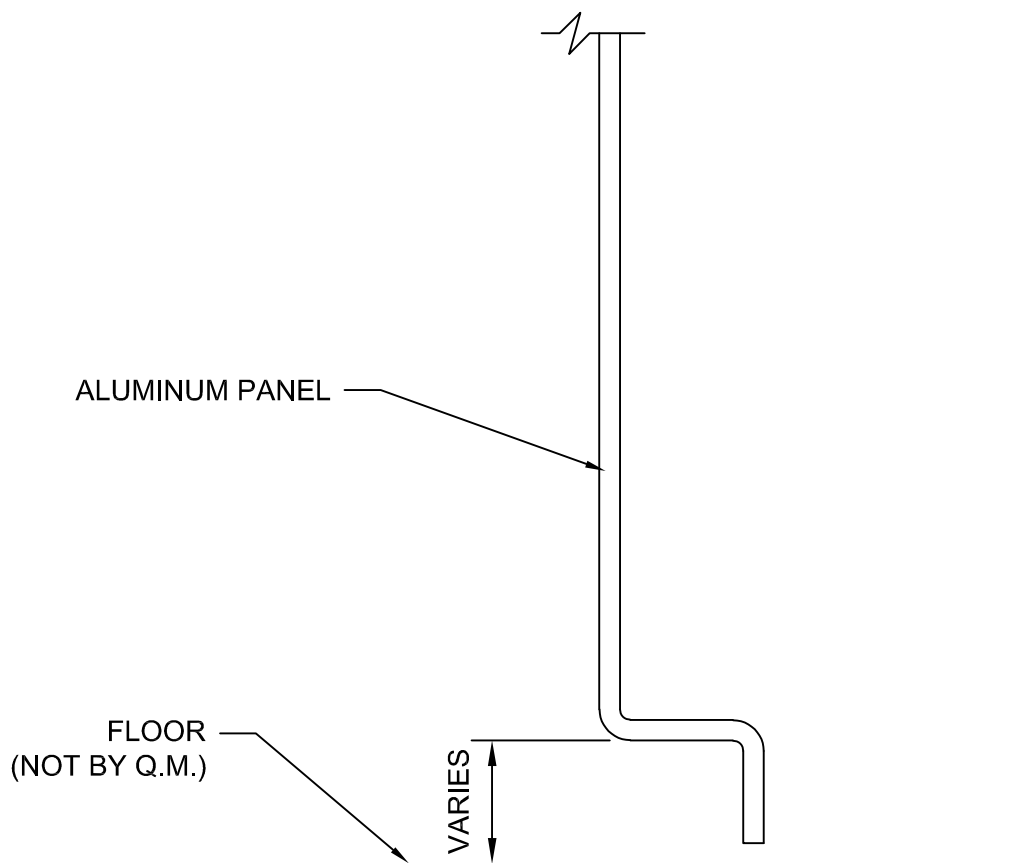
Architectural Metal Products

## RECTANGULAR - BASE DETAIL (2)

## DETAIL Y

**NOTE:**

LOAD BEARING WALL COMPONENTS OF EITHER: 16GA STEEL STUDS, STRUCTURAL MEMBERS, MINIMUM 5/8" PLYWOOD OR CONCRETE. GYPSUM BOARD AND CEMENT BOARD ARE NOT A STRUCTURAL COMPONENT.



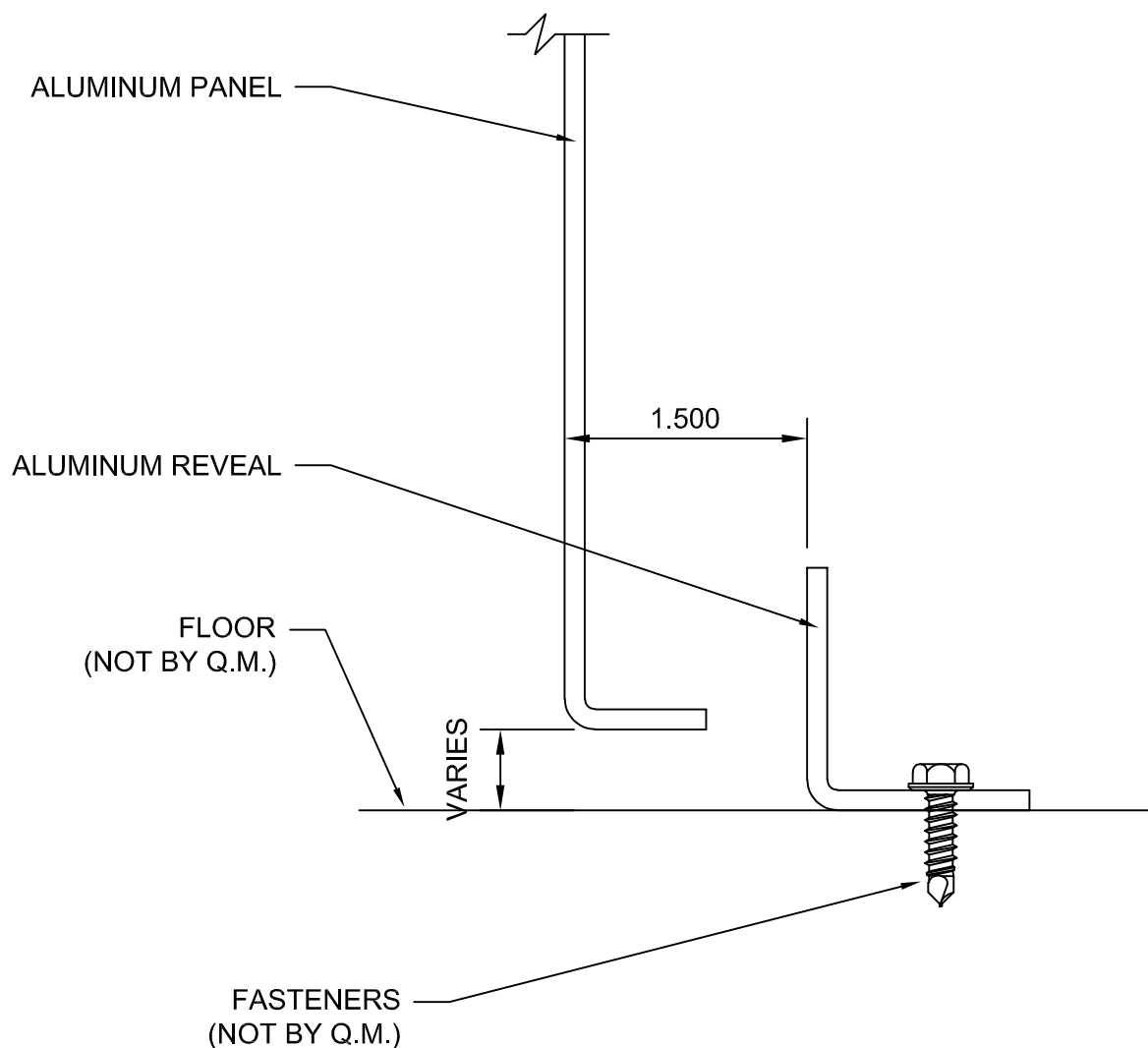


## RECTANGULAR - BASE DETAIL (3)

## DETAIL Z

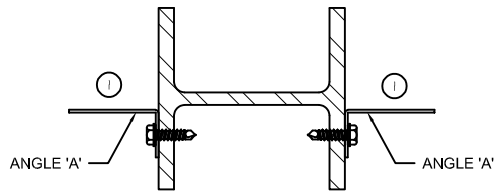
**NOTE:**

LOAD BEARING WALL COMPONENTS OF EITHER: 16GA STEEL STUDS, STRUCTURAL MEMBERS, MINIMUM 5/8" PLYWOOD OR CONCRETE. GYPSUM BOARD AND CEMENT BOARD ARE NOT A STRUCTURAL COMPONENT.

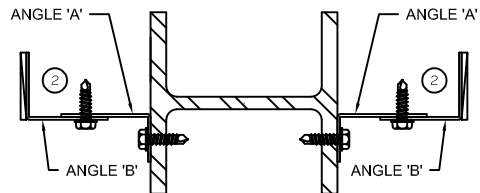


# ALUMINUM COLUMN COVER (REVEAL JOINT) INSTALLATION GUIDE

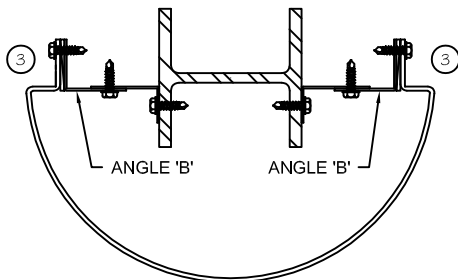
## DETAIL AA



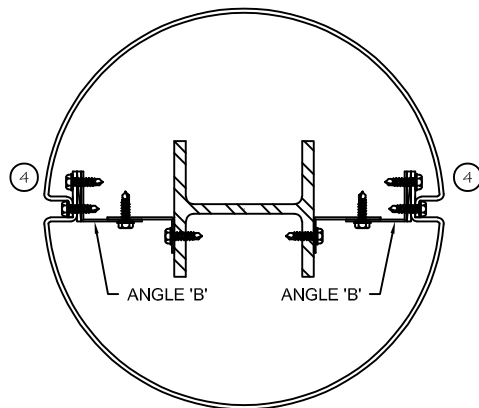
① FASTEN FRAMING ANGLE 'A' TO EACH SIDE OF STRUCTURAL COLUMN



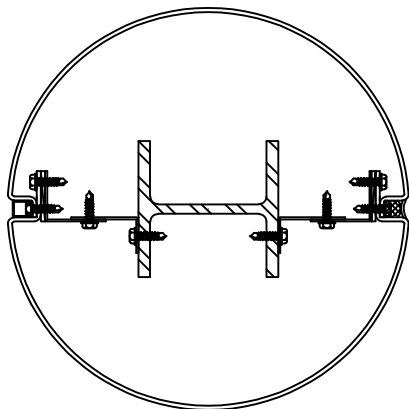
② FASTEN FRAMING ANGLE 'B' PLUMB TO EACH ANGLE 'A'  
(SHIM AS REQUIRED)



③ FASTEN FIRST COLUMN COVER PANEL (LONGER RETURNS)  
TO EACH ANGLE 'B'



④ FASTEN SECOND COLUMN COVER PANEL (SHORT RETURNS)  
TO EACH ANGLE 'B'



⑤ WET SEAL JOINTS OR PLACE FINISH CHANNEL INTO JOINTS